

DATA SHEET

Totale Pagine:
1

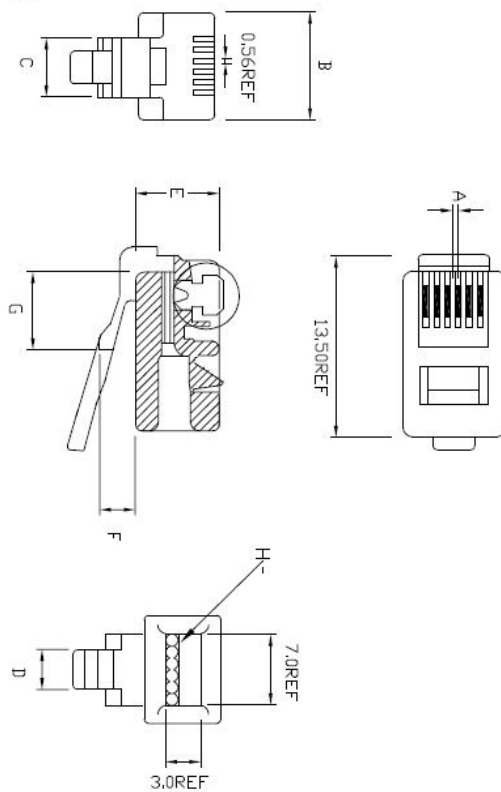
Data:
05/06/2013

Oggetto: Cod.22300 Spina a contatti dorati plug 6/6c.

UNIT: MILLIMETER

DIM	
A	0.51±0.03
B	9.65±0.10
C	6.1±0.10
D	3.25±0.13
E	6.6±0.10
F	2.77±0.10
G	5.87±0.13
H	1.00±0.05

SIX CONDUCTOR / SIX POSITION PLUG



1. MATERIAL

1) HOUSING: POLYCARBONATE (PC)

UL94-V0 DR UL94-V2

2) CONTACT: GOLD BLADE X6PCS

GOLD PLATING 0.000003 INCH THICKNESS

2. ELECTRICAL TEST

1) CURRENT RATING : 2.0 AMPS

2) INSULATION RESISTANCE : 100M OHM MIN

3) CONTACT RESISTANCE : 20M OHM MAX

3. COMPLES WITH FCC68.500 SPECIFICATION