



22MM PLASTIC ROUND ACTUATOR: SELECTOR SWITCH  
LATCHING 3 SWITCH POSITIONS I-O-II ILLUMINATED  
INCL. HOLDER FOR 3 ELEMENTS WITH HOLDER GREEN

Actuator / signaling device:	
Design of the operating mechanism	selector switch
Type of unlocking device	rotate-to-unlatch mechanism
Material / of the activation element	plastic
Number of switching positions	3
Actuating angle	
• clockwise	° 50
• anticlockwise	° 50
Product component / front ring	Yes
Material / of the front ring	plastic
Color / of the front ring	black
Design of front ring	Standard
Product function / EMERGENCY STOP function	No

Holder:	
Material / of holder	Plastic

General technical details:	
Resistance against shock	
• for devices without incandescent lamp / according to IEC 60068-2-27	<= 50g

Resistance against vibration / according to IEC 60068-2-6		20 ... 200 Hz: 5g
Operating cycles / maximum	1/h	1,000
Mechanical operating cycles as operating time / typical		300,000
Item designation		S
<ul style="list-style-type: none"> <li>• according to DIN EN 61346-2</li> <li>• according to DIN 40719 extendable after IEC 204-2 / according to IEC 750</li> </ul>		S
Tightening torque / of the screws in the bracket / maximum	N-m	1
Ambient temperature		
<ul style="list-style-type: none"> <li>• during operating</li> <li>• during storage</li> </ul>	°C	-25 ... +70
	°C	-40 ... +80
Protection class IP		IP66
climatic class / during the operating phase / according to EN 60721		3K6
Type of mounting		front mounting
Shape / of the installation hole		round
Installation width	mm	28.5
Mounting diameter	mm	22
Mounting height	mm	24
Mounting depth	mm	29

#### Certificates/approvals:

##### General Product Approval



##### Test Certificates

[Special Test Certificate](#)

##### Shipping Approval



##### other

[Confirmation](#)

[other](#)

[Environmental Confirmations](#)

#### Further information:

##### Information- and Downloadcenter (Catalogs, Brochures,...)

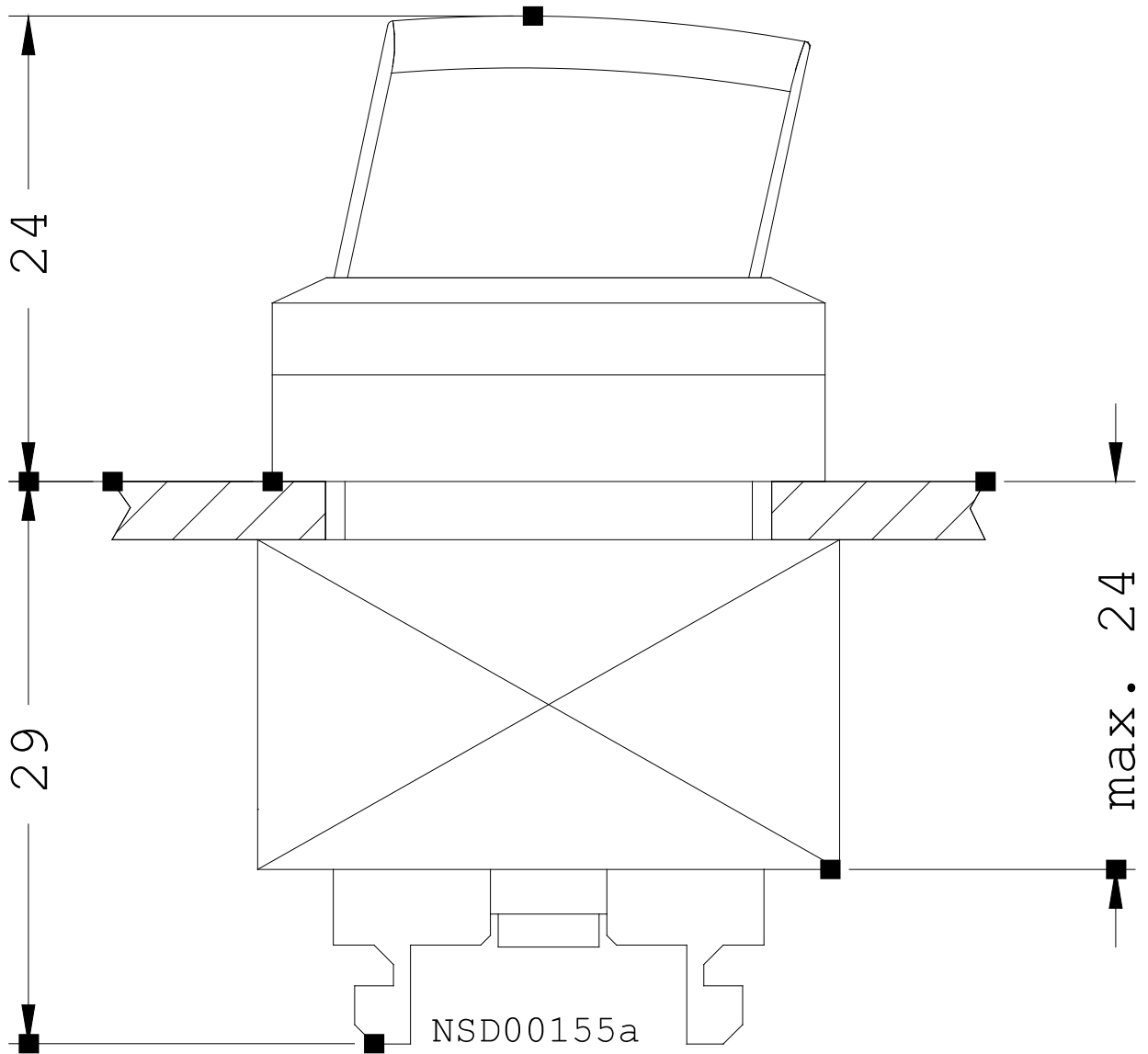
<http://www.siemens.com/industrial-controls/catalogs>

##### Industry Mall (Online ordering system)

<http://www.siemens.com/industrial-controls/mall>

##### Cax online generator:

<http://www.siemens.com/cax>



last change:

Jul 17, 2012