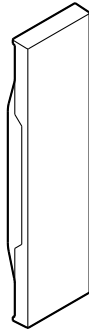


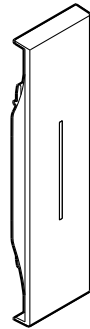
## LIVING NOW

### Cover fisse e mobili

Art. KW00 - KM00 - KG00 - KW01... - KM01... - KG01... - KW02 - KM02 - KG02 - KW03 - KM03 - KG03 - KW04 - KM04 - KG04 - KW5... - KM5... - KG5... - KW06... - KM06... - KG06... - KW07 - KM07 - KG07 - KW08 - KM08 - KG08 - KW09 - KM09 - KG09 - KW10... - KM10... - KG10... - KW11H - KM11H - KG11H - KW12C - KM12C - KG12C - KW14 - KM14 - KG14 - KW15... - KM15... - KG15... - KW16 - KM16 - KG16 - KW17... - KM17... - KG17... - KW18 - KM18 - KG18 - KW19... - KM19... - KG19... - KW22 - KM22 - KG22 - KW24 - KM24 - KG24 - KW30M2 - KM30M2 - KG30M2 - KW31 - KM31 - KG31 - KW33M2 - KM33M2 - KG33M2 - KW40M2 - KM40M2 - KG40M2 - KW41M2 - KM41M2 - KG41M2 - KW42... - KM42... - KG42... - KW43M2 - KM43M2 - KG43M2



K00



K01

#### 1. IMPIEGO

Cover fisse e mobili Living Now.

#### 2. RANGE

##### COVER FISSA - 1 Modulo

Falso polo	<input type="checkbox"/> KW00 <input type="checkbox"/> KM00 <input type="checkbox"/> KG00
Presse std Italiano 10/16	<input type="checkbox"/> KW02 <input type="checkbox"/> KM02 <input type="checkbox"/> KG02
RJ11/45	<input type="checkbox"/> KW07 <input type="checkbox"/> KM07 <input type="checkbox"/> KG07
TV 1	<input type="checkbox"/> KW08 <input type="checkbox"/> KM08 <input type="checkbox"/> KG08
TV 2	<input type="checkbox"/> KW09 <input type="checkbox"/> KM09 <input type="checkbox"/> KG09
Modulo per presa connesso	<input type="checkbox"/> KW31 <input type="checkbox"/> KM31 <input type="checkbox"/> KG31
Carica USB	<input type="checkbox"/> KW10C <input type="checkbox"/> KM10C <input type="checkbox"/> KG10C
Dati USB	<input type="checkbox"/> KW10P <input type="checkbox"/> KM10P <input type="checkbox"/> KG10P
HDMI	<input type="checkbox"/> KW14 <input type="checkbox"/> KM14 <input type="checkbox"/> KG14
Buzzer	<input type="checkbox"/> KW15 <input type="checkbox"/> KM15 <input type="checkbox"/> KG15
IR	<input type="checkbox"/> KW16 <input type="checkbox"/> KM16 <input type="checkbox"/> KG16
MUR & DND	<input type="checkbox"/> KW11H <input type="checkbox"/> KM11H <input type="checkbox"/> KG11H

#### 2. RANGE (segue)

##### COVER FISSA - 1 Modulo (segue)

Letture transponder	<input type="checkbox"/> KW24 <input type="checkbox"/> KM24 <input type="checkbox"/> KG24
---------------------	---

##### COVER FISSA - 2 Moduli

Prese P40	<input type="checkbox"/> KW03 <input type="checkbox"/> KM03 <input type="checkbox"/> KG03
Presse standard Tedesco/Francese	<input type="checkbox"/> KW04 <input type="checkbox"/> KM04 <input type="checkbox"/> KG04
2 USB	<input type="checkbox"/> KW12C <input type="checkbox"/> KM12C <input type="checkbox"/> KG12C
Buzzer 2m	<input type="checkbox"/> KW15M2 <input type="checkbox"/> KM15M2 <input type="checkbox"/> KG15M2
Cover IR auto	<input type="checkbox"/> KW17 <input type="checkbox"/> KM17 <input type="checkbox"/> KG17
Green switch + IR	<input type="checkbox"/> KW17SL <input type="checkbox"/> KM17SL <input type="checkbox"/> KG17SL
Ksenia	<input type="checkbox"/> KW4275 <input type="checkbox"/> KM4275 <input type="checkbox"/> KG4275
Gateway	<input type="checkbox"/> KW30M2 <input type="checkbox"/> KM30M2 <input type="checkbox"/> KG30M2

##### COVER FISSA - 3 Moduli

Badge	<input type="checkbox"/> KW22 <input type="checkbox"/> KM22 <input type="checkbox"/> KG22
-------	---

##### Codice colori:

- Bianco
- Sabbia
- Nero

## Cover fisse e mobili

## 2. RANGE (segue)

## COVER MOBILE - 1 Modulo

Interruttore	<input type="checkbox"/> KW01 <input type="checkbox"/> KM01 <input type="checkbox"/> KG01
Interruttore MH	<input type="checkbox"/> KW01MHAG <input type="checkbox"/> KM01MHAG <input type="checkbox"/> KG01MHAG
Simbolo luce	<input type="checkbox"/> KW01A <input type="checkbox"/> KM01A <input type="checkbox"/> KG01A
Simbolo suoneria	<input type="checkbox"/> KW01D <input type="checkbox"/> KM01D <input type="checkbox"/> KG01D
Simbolo chiave	<input type="checkbox"/> KW01F <input type="checkbox"/> KM01F <input type="checkbox"/> KG01F
Simbolo GEN	<input type="checkbox"/> KW01MHGEN <input type="checkbox"/> KM01MHGEN <input type="checkbox"/> KG01MHGEN
Simbolo "ritorno a casa"	<input type="checkbox"/> KW01MHBACK <input type="checkbox"/> KM01MHBACK <input type="checkbox"/> KG01MHBACK
Simbolo letto	<input type="checkbox"/> KW01MHBED <input type="checkbox"/> KM01MHBED <input type="checkbox"/> KG01MHBED
Jolly	<input type="checkbox"/> KW01X <input type="checkbox"/> KM01X <input type="checkbox"/> KG01X
Pulsante tapparelle	<input type="checkbox"/> KW05 <input type="checkbox"/> KM05 <input type="checkbox"/> KG05
Commutatore tapparelle	<input type="checkbox"/> KW06 <input type="checkbox"/> KM06 <input type="checkbox"/> KG06
MUR & DND	<input type="checkbox"/> KW06H <input type="checkbox"/> KM06H <input type="checkbox"/> KG06H
STOP	<input type="checkbox"/> KW06MH <input type="checkbox"/> KM06MH <input type="checkbox"/> KG06MH
Dimmer MH	<input type="checkbox"/> KW19MH <input type="checkbox"/> KM19MH <input type="checkbox"/> KG19MH
Dimmer base	<input type="checkbox"/> KW19 <input type="checkbox"/> KM19 <input type="checkbox"/> KG19
Dimmer smart	<input type="checkbox"/> KW18 <input type="checkbox"/> KM18 <input type="checkbox"/> KG18

## COVER MOBILE - 2 Moduli

Interruttore	<input type="checkbox"/> KW01M2 <input type="checkbox"/> KM01M2 <input type="checkbox"/> KG01M2
Interruttore MH	<input type="checkbox"/> KW01MH2 <input type="checkbox"/> KM01MH2 <input type="checkbox"/> KG01MH2
Simbolo ON/OFF MH	<input type="checkbox"/> KW01MH2AG <input type="checkbox"/> KM01MH2AG <input type="checkbox"/> KG01MH2AG

## 2. RANGE (segue)

## COVER MOBILE - 2 Moduli (segue)

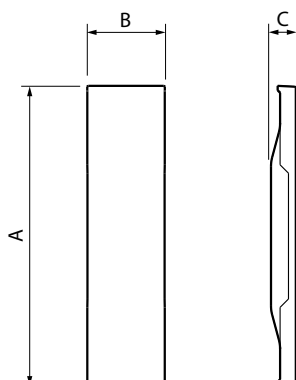
Simbolo luce	<input type="checkbox"/> KW01M2A <input type="checkbox"/> KM01M2A <input type="checkbox"/> KG01M2A
Simbolo luce MH	<input type="checkbox"/> KW01MH2A <input type="checkbox"/> KM01MH2A <input type="checkbox"/> KG01MH2A
Simbolo suoneria	<input type="checkbox"/> KW01M2D <input type="checkbox"/> KM01M2D <input type="checkbox"/> KG01M2D
Simbolo suoneria MH	<input type="checkbox"/> KW01MH2D <input type="checkbox"/> KM01MH2D <input type="checkbox"/> KG01MH2D
Simbolo chiave	<input type="checkbox"/> KW01M2F <input type="checkbox"/> KM01M2F <input type="checkbox"/> KG01M2F
Simbolo chiave MH	<input type="checkbox"/> KW01MH2F <input type="checkbox"/> KM01MH2F <input type="checkbox"/> KG01MH2F
Simbolo GEN MH	<input type="checkbox"/> KW01MH2GEN <input type="checkbox"/> KM01MH2GEN <input type="checkbox"/> KG01MH2GEN
Simbolo "ritorno a casa" MH	<input type="checkbox"/> KW01MH2BACK <input type="checkbox"/> KM01MH2BACK <input type="checkbox"/> KG01MH2BACK
Simbolo letto MH	<input type="checkbox"/> KW01MH2BED <input type="checkbox"/> KM01MH2BED <input type="checkbox"/> KG01MH2BED
Jolly	<input type="checkbox"/> KW01M2X <input type="checkbox"/> KM01M2X <input type="checkbox"/> KG01M2X
Jolly MH	<input type="checkbox"/> KW01MH2X <input type="checkbox"/> KM01MH2X <input type="checkbox"/> KG01MH2X
Pulsante tapparelle	<input type="checkbox"/> KW05M2 <input type="checkbox"/> KM05M2 <input type="checkbox"/> KG05M2
Tapparella MH	<input type="checkbox"/> KW05MH2 <input type="checkbox"/> KM05MH2 <input type="checkbox"/> KG05MH2
Dimmer MH	<input type="checkbox"/> KW19MH2 <input type="checkbox"/> KM19MH2 <input type="checkbox"/> KG19MH2
Batteria gen smart	<input type="checkbox"/> KW40M2 <input type="checkbox"/> KM40M2 <input type="checkbox"/> KG40M2
Batteria dimmer smart	<input type="checkbox"/> KW33M2 <input type="checkbox"/> KM33M2 <input type="checkbox"/> KG33M2
Batteria tapparelle Smart	<input type="checkbox"/> KW43M2 <input type="checkbox"/> KM43M2 <input type="checkbox"/> KG43M2
Batteria interruttore smart	<input type="checkbox"/> KW42M2 <input type="checkbox"/> KM42M2 <input type="checkbox"/> KG42M2
Batteria NOTTE&GIORNO Smart	<input type="checkbox"/> KW41M2 <input type="checkbox"/> KM41M2 <input type="checkbox"/> KG41M2

Codice colori:  Bianco  Sabbia  Nero

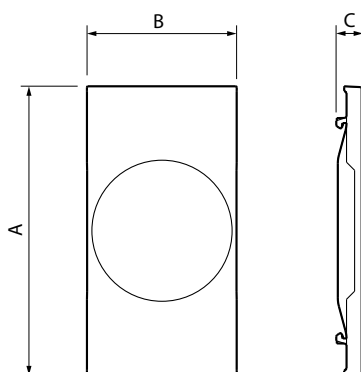
## Cover fisse e mobili

## 3. DIMENSIONI GENERALI (mm)

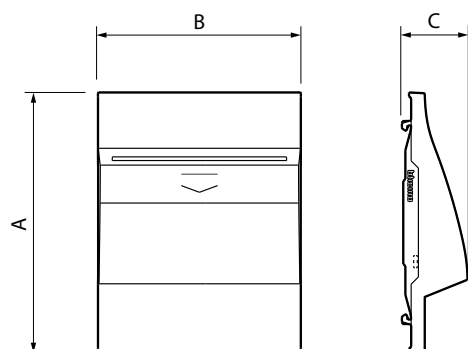
## ■ Cover 1 modulo - (K00)



## ■ Cover 2 moduli - (K04)



## ■ Cover 3 moduli - (K22)



Copertura	A	B	C
1 M	86	22	7
2 M	86	45	7,5
3 M	86	67	7,5

## 4. CARATTERISTICHE TECNICHE

## ■ 4.1 Caratteristiche meccaniche

Prova d'urto IK 04

## ■ 4.2 Caratteristiche dei materiali

Senza alogeni

Resistente UV

- Autoestinguento

650°C/30 s per gli altri componenti isolanti.

## ■ 4.3 Caratteristiche climatiche

Temperatura di stoccaggio: - 10°C a + 70°C

Temperatura d'impiego: - 5°C a + 50°C

## 5. PULIZIA

Pulire la superficie con un panno.

Non utilizzare: acetone, smacchiatori, tricloroetilene.

**Attenzione:** Prima di utilizzare prodotti specifici è opportuno effettuare un test preliminare.