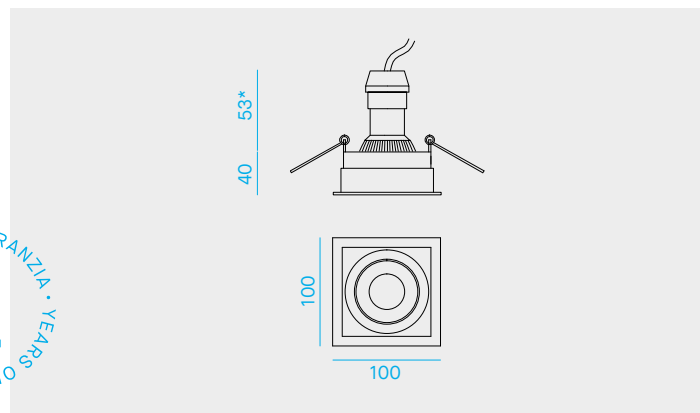



9112

Code	W/max	V	Lamp holder
9112	8	220-240	GU10

2 ANNI DI GARANZIA • YEARS OF GUARANTEE


Incasso orientabile.
Adjustable recessed fitting.
Appareil à encastrer orientable.
Verstellbare Einbauleuchte.
Struttura in alluminio.
Aluminium structure.
Corps en aluminium.
Aluminium-Struktur.
*** Lampada LED non inclusa.**
 Dato indicativo di una lampada tipo.

*** LED Lamp not included.**
 General dimension of standard lamp.

*** Lampe LED pas incluse.** Information
 générique d'une lampe exemple.

*** LED Lampe nicht enthalten.** Allgemeine
 Information durch einen Lampen-Typ.