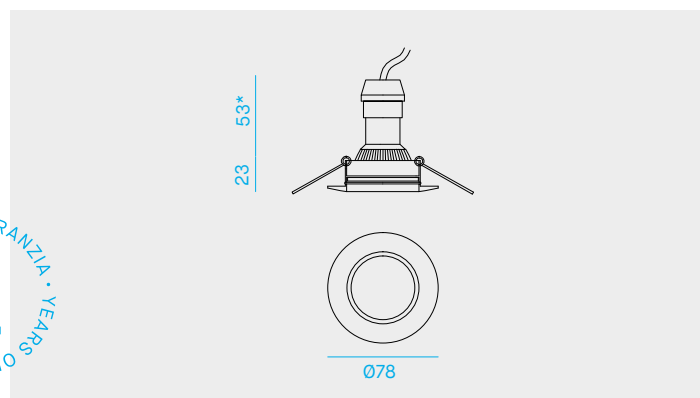



**4111/H**

Code	W/max	V	Lamp holder
4111/H/BI	8	220-240	GU10
4111/H/GD	8	220-240	GU10
4111/H/CR	8	220-240	GU10
4111/H/NS	8	220-240	GU10

2 ANNI DI GARANZIA • YEARS OF GUARANTEE



Incasso.

*Recessed fitting.*

Appareil à encastrer.

*Einbauleuchte.*

Finiture in metallo.

*Metal finishing.*

Finitions en métal.

*Metall Ausführung.*

\* **Lampada LED** non inclusa.  
Dato indicativo di una lampada tipo.

\* **LED Lamp** not included.  
*General dimension of standard lamp.*

\* **Lampe LED** pas incluse. Information  
générique d'une lampe exemple.

\* **LED Lampe** nicht enthalten. Allgemeine  
Information durch einen Lampen-Typ.