

Safety Instructions

0, 1, 2, 3, 4, 6, 9, 10, 11,
12,15,18,19,22,25,



Info Hotline



+49 (0) 5041 998 389

Mon.-Do. 7⁰⁰-20⁰⁰
Fr. 7⁰⁰-17⁰⁰

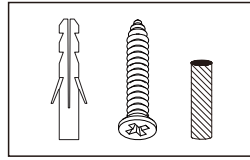
Paulmann Licht GmbH
Quezinger Feld 2
31832 Springe
Germany

www.paulmann.com

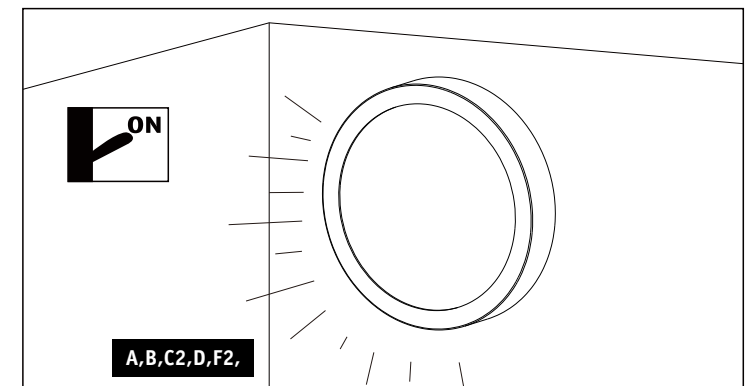
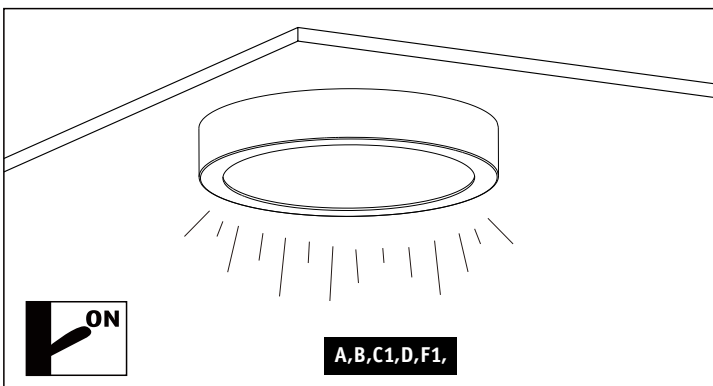
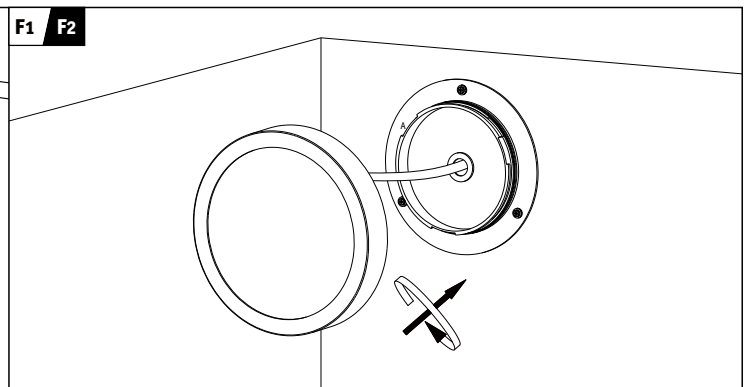
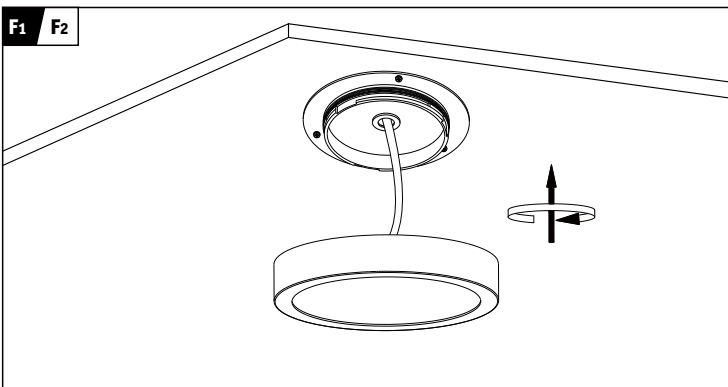
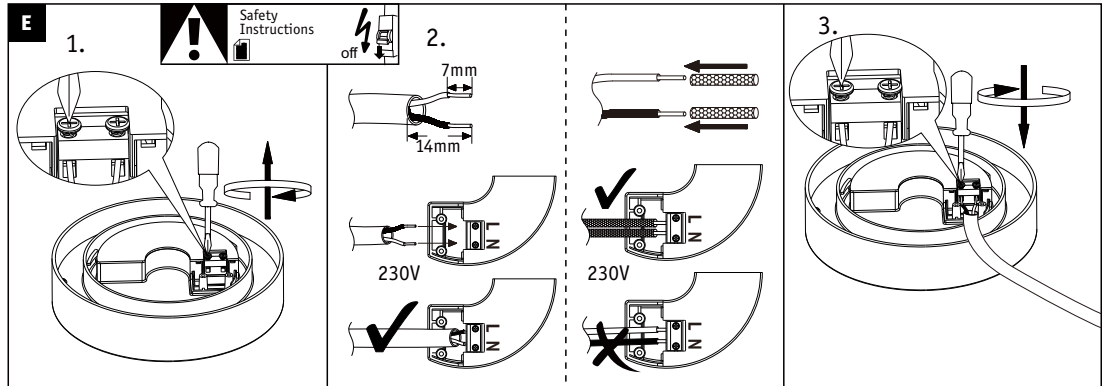
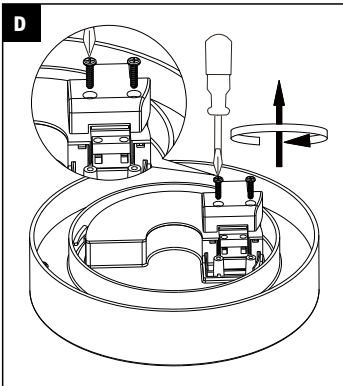
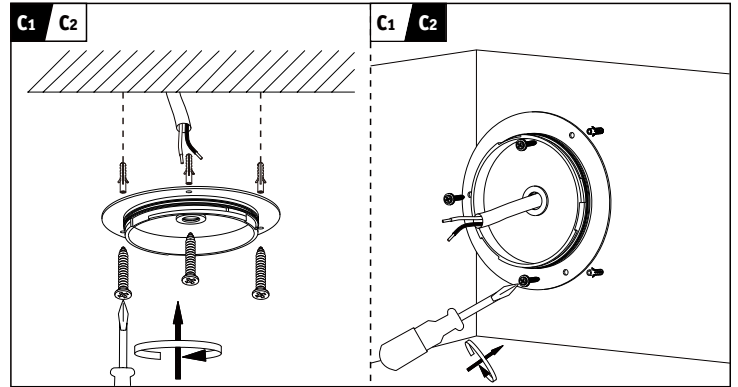
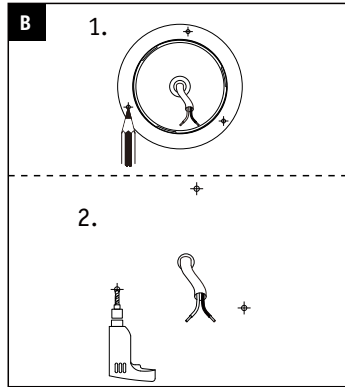
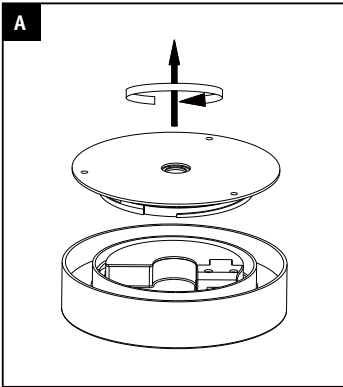
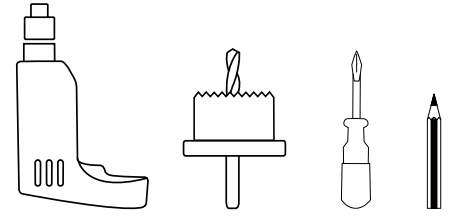
Art.-Nr.:
500.08
500.09
500.10
(+MA 173)PKE 04/16

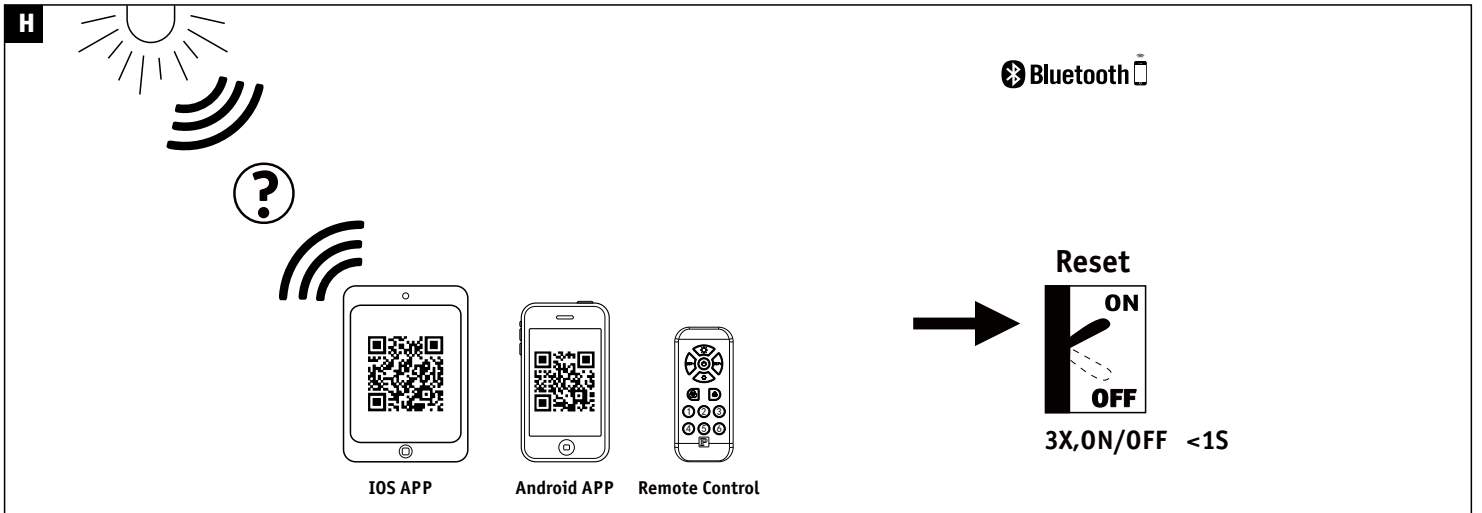
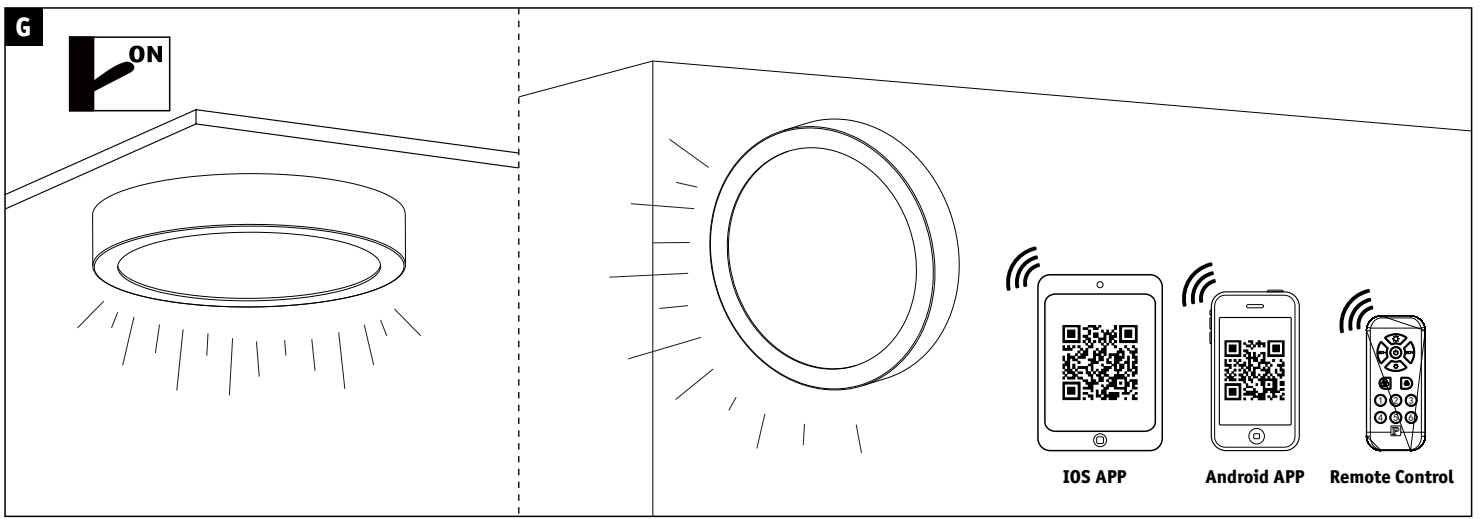


1X



incl.





I

Paulmann Home

IOS APP

Android APP

Not incl.

- iPad
- iPhone 4S Higher
- Android 4.4 Higher
- Bluetooth 4.0 Higher

Not incl. Remote Control

Paulmann
Art.-Nr.500.01

