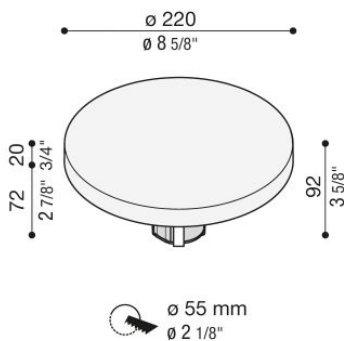


# Line 220

LL1131033

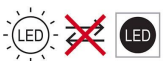
LOMBARDO



## Technical information:

Installation:	Wall, Ceiling, Post 1 luminaire, Post
Finish:	Corten
Diffuser type:	Polycarbonate
Lamp type:	LED
Colour temperature:	3000K, Im -5%
CRI:	>80
LB Factor 50.000 h:	L80B20
Photobiological risk:	RG0
Power consumption (Watt):	11
Lumen:	1350
Real Lumen:	910
Power supply:	✓ integrated
LED:	220-240 V
Insulation class:	⊕ CL.I
Type of protection:	IP 66
Resistance to breakage:	IK 08 5J xx7
Standards and Marks of Conformity:	CE UK CA

Upper black polycarbonate cap, injection moulded in-house with subsequent manual finishing. Very thick polycarbonate diffuser, injection moulded in-house with subsequent manual finishing with triple UV stabilization and polyGLASS finish. Version with lighting source directed downwards. Ideal for lighting paths and walkways in settings requiring reduced glare.



# Line 220

LL1131033

LOMBARDO



## Installation images:

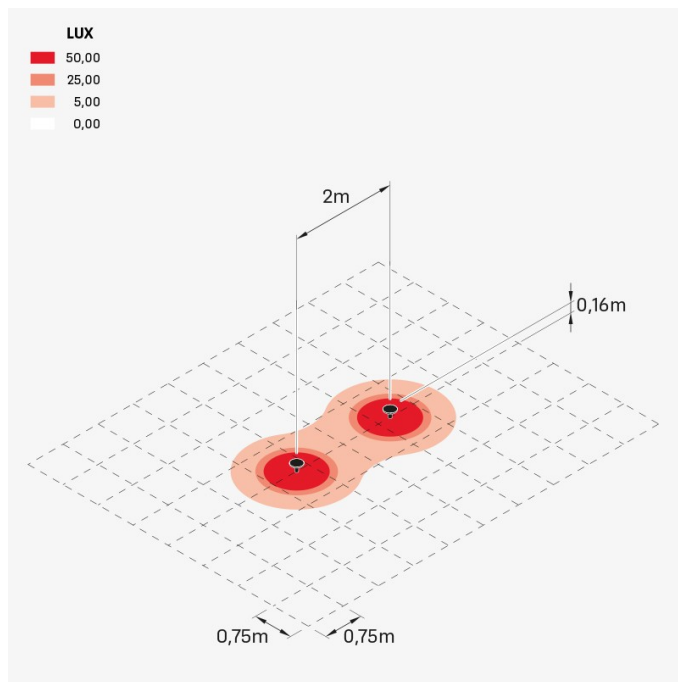


Lombardo S.r.l.

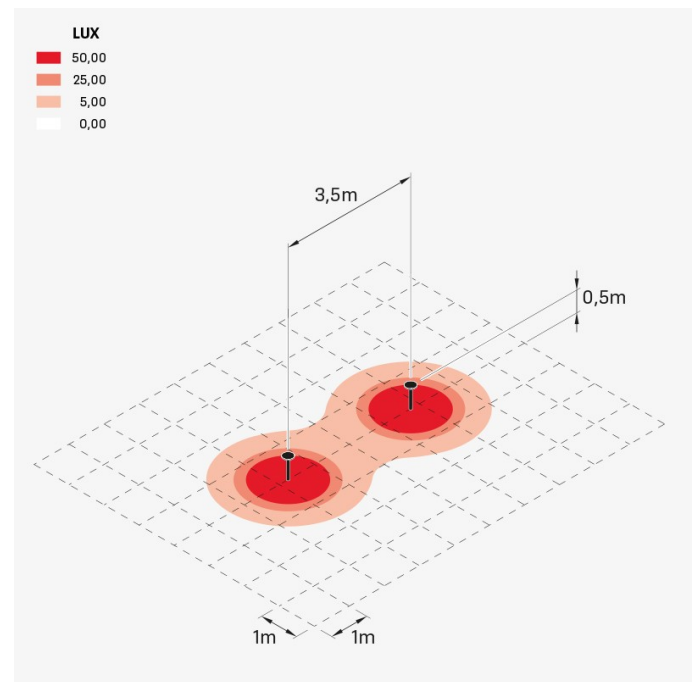
Via Pizzigoni 3, Villongo (BG) - 24060 - Italy - T 0039 035 939 411 - F 0039 035 939 496 - E [info@lombardo.it](mailto:info@lombardo.it)

**lombardo.it**

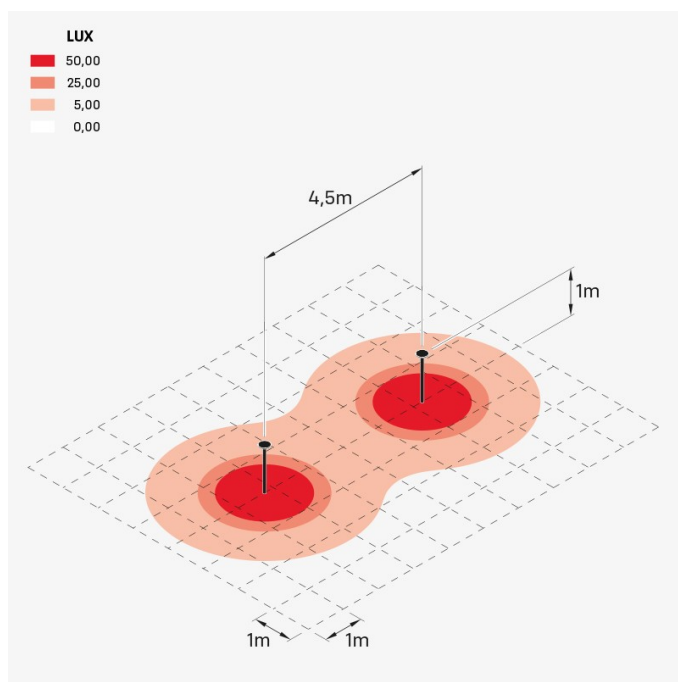
### Lighting simulation:



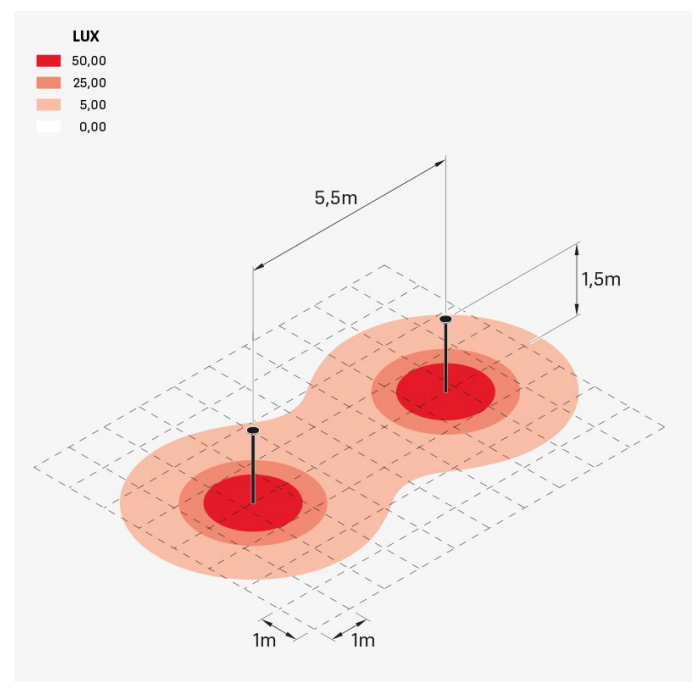
line\_220\_H160



line\_220\_H500



line\_220\_H1000



line\_220\_H1500