

CIRCUIT BREAKER 3VT1 STANDARD BREAKING CAPACITY  
 ICU=25KA, 415V AC 3-POLE, SYSTEM PROTECTION  
 OVERCURRENT RELEASE TM, LI IN= 63A RATED CURRENT IR=  
 63A OVERLOAD PROTECTION II= 252A, SHORT-CIRC. PROT.  
 WITHOUT AUXILIARY RELEASE WITHOUT AUXILIARY/ALARM  
 SWITCH



Figure similar

Model	
Product brand name	SENTRON
Product designation	3VT1_5 molded case circuit breakers
Design of the operating mechanism	toggle handle
Type of the driving mechanism / motor drive	No
Design of the overcurrent release	TM
General technical data	
Number of poles	3
Size of the circuit-breaker	3VT1
Electrical endurance (switching cycles) / typical	6 000
Usage category	A
Performance class for circuit breaker	N
Mechanical service life (switching cycles) / typical	20 000
Operating frequency / maximum	120 1/h
Voltage	
Insulation voltage / rated value	690 V
Surge voltage resistance / rated value	8 kV

Protection class	
<b>Protection class IP</b>	IP40
<b>Protective function of the overcurrent release</b>	LI
Dissipation	
<b>Power loss [W]</b>	
<ul style="list-style-type: none"> <li>for rated value of the current / at AC / in hot operating state / per pole</li> </ul>	2 W
<ul style="list-style-type: none"> <li>maximum</li> </ul>	6 W
Electricity	
Operating current / at 45 °C / rated value	57 A
Continuous current / rated value	63 A
Derating temperature / for the rated value of the continuous current	40 °C
<b>Adjustable pick-up value current</b>	
<ul style="list-style-type: none"> <li>of the current-dependent overload release / Full-scale value</li> </ul>	63 A
<ul style="list-style-type: none"> <li>of instantaneous short-circuit trip unit / initial value</li> </ul>	252 A
<ul style="list-style-type: none"> <li>of instantaneous short-circuit trip unit / Full-scale value</li> </ul>	252 A
Main circuit	
<b>Operating frequency</b>	
<ul style="list-style-type: none"> <li>1 / rated value</li> </ul>	50 Hz
<ul style="list-style-type: none"> <li>2 / rated value</li> </ul>	60 Hz
<b>Operating voltage</b>	
<ul style="list-style-type: none"> <li>rated value / maximum</li> </ul>	690 V
<ul style="list-style-type: none"> <li>for main current circuit / at AC / at 50 Hz / maximum</li> </ul>	690 V
<ul style="list-style-type: none"> <li>for main current circuit / at AC / at 60 Hz / maximum</li> </ul>	690 V
<ul style="list-style-type: none"> <li>for main current circuit / at DC / maximum</li> </ul>	250 V
<b>Operating current</b>	
<ul style="list-style-type: none"> <li>at 40 °C / rated value</li> </ul>	63 A
<ul style="list-style-type: none"> <li>at 50 °C / rated value</li> </ul>	57 A
Suitability	
<b>Suitability for use</b>	system protection
<ul style="list-style-type: none"> <li>Disconnecting means</li> </ul>	Yes
Adjustable parameters	
<b>Adjustable pick-up value current / of the current-dependent overload release / initial value</b>	63 A
Product details	

<b>Product component</b>	
• Trip indicator	No
• Auxiliary switch	No
• Voltage trigger	No
• undervoltage release	No
• undervoltage release with leading contact	No
Product extension / optional / motor drive	Yes

### Product function

<b>Product function</b>	
• of thermal overload trip unit	fixed
• Ground fault protection	No
• for neutral conductors / Short-circuit and overload proof	No
• Phase failure detection	No
• Overload protection	Yes

### Short circuit

<b>Operational short-circuit current breaking capacity (Ics)</b>	
• at 240 V / rated value	20 kA
• at 415 V / rated value	13 kA
• at 500 V / rated value	6 kA
• at 690 V / rated value	3 kA
<b>Maximum short-circuit current breaking capacity (Icu)</b>	
• at 240 V / rated value	40 kA
• at 415 V / rated value	25 kA
• at 500 V / rated value	12 kA
• at 690 V / rated value	6 kA

### Connections

Arrangement of electrical connectors / for main current circuit	front side
Type of electrical connection / for main current circuit	box terminals

### Mechanical Design

<b>Height</b>	130 mm
<b>Width</b>	75 mm
<b>Depth</b>	80 mm
<b>Mounting position</b>	with vertical mounting surface +/-180° rotatable, with vertical mounting surface +/- 30° tiltable to the front and back
<b>Mounting type</b>	fixed mounting
<b>Net weight</b>	1.062 kg

### Environmental conditions

<b>Ambient temperature</b>	
----------------------------	--

- during operation / minimum -40 °C
- during operation / maximum 55 °C
- during storage / minimum -40 °C
- during storage / maximum 55 °C

## Certificates

### Equipment marking

- acc. to DIN EN 61346-2 Q
- acc. to DIN EN 81346-2 Q

General Product Approval	Declaration of Conformity	Test Certificates	other
--------------------------	---------------------------	-------------------	-------



CCC



EG-Konf.

[Type Test Certificates/Test Report](#)

[Miscellaneous](#)

## Further information

### Information- and Downloadcenter (Catalogs, Brochures,...)

<http://www.siemens.com/lowvoltage/catalogs>

### Industry Mall (Online ordering system)

<https://mall.industry.siemens.com/mall/en/en/Catalog/product?mlfb=3VT1706-2DA36-0AA0>

### Service&Support (Manuals, Certificates, Characteristics, FAQs,...)

<https://support.industry.siemens.com/cs/ww/en/ps/3VT1706-2DA36-0AA0>

### Image database (product images, 2D dimension drawings, 3D models, device circuit diagrams, ...)

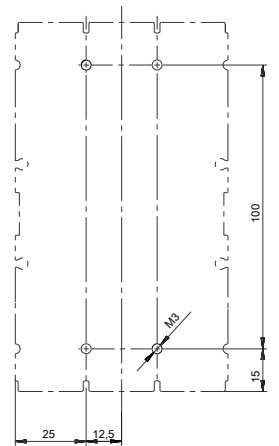
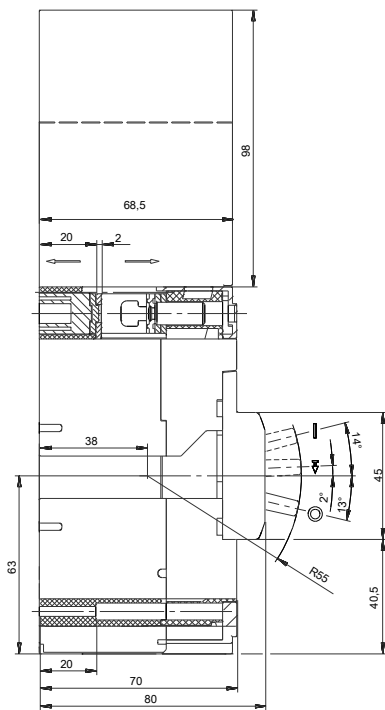
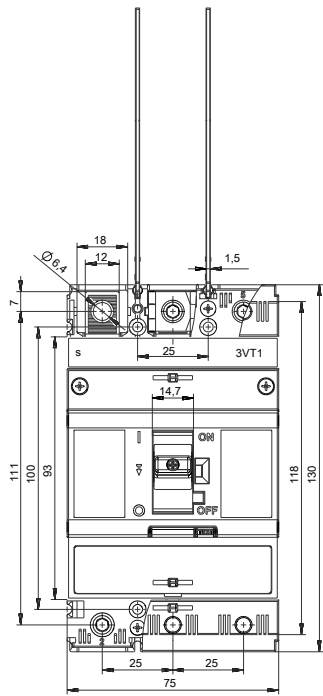
[http://www.automation.siemens.com/bilddb/cax\\_en.aspx?mlfb=3VT1706-2DA36-0AA0](http://www.automation.siemens.com/bilddb/cax_en.aspx?mlfb=3VT1706-2DA36-0AA0)

### CAX-Online-Generator

<http://www.siemens.com/cax>

### Tender specifications

<http://www.siemens.com/specifications>



Q

