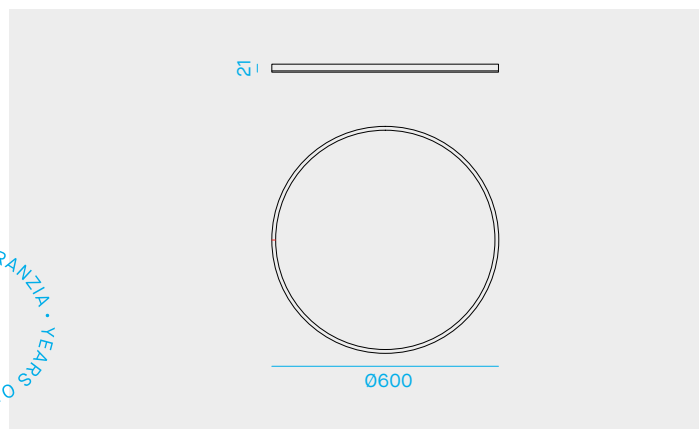




2 ANNI DI GARANZIA • YEARS OF GUARANTEE

### LPR60

Code	Nominal lumen	W	CCT	Driver
LPR60/3K	4400	44	3000K	on-off
LPR60/4K	4600	44	4000K	on-off



Pannello LED tondo per installazione a plafone, a parete, sospensione e con telaio.

Round LED Panel for ceiling, wall-mounted, suspension and recessed installation with suitable accessory.

Panneau LED rond pour installation en plafonnier, au mur, en suspension ou avec cadre pour encastrement.

LED Panel rund für Decken-, Wand-, Pendel- oder Einbauinstallation mit Rahmen.

LED HONGLI 2835.

2835 HONGLI LED

LED HONGLI 2835.

2835 HONGLI LED

Life time 50.000h (rendimento 70%).

Life time 50.000h (70% lumen maintenance).

Durée de vie 50.000h (rendement 70%).

Lebensdauer 50.000h (Lichtstrom 70%).

Corpo e cornice in alluminio verniciato bianco goffrato.

Body and frame in white-embossed painted aluminium.

Corps et cadre en aluminium peint blanc mat.

Körper und Rahmen aus weiss geprägt lackiertem Aluminium.

Tecnologia LGP: ottica per garantire l'uniformità di emissione della luce

LGP technology: internal optics for a uniform light emission result.

Technologie LGP (Light Guide Plate): optique intérieure pour garantir l'uniformité d'émission de la lumière.

Technologie LGP: Definierte Lichtauskopplung für eine gleichmässige Lichtverteilung.

Alimentatore 220-240V 50/60Hz incluso.

220-240V 50/60Hz power supply included.

Alimentation 220-240V - 50/60Hz incluse.

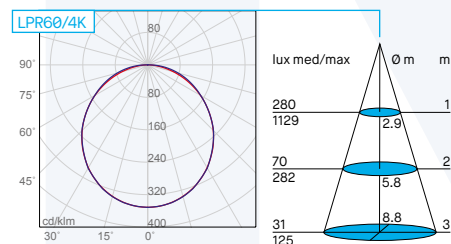
Netzgerät 220-240V 50/60Hz enthalten.

Gli accessori sono indispensabili per effettuare l'installazione.

The accessories are essential for installation.

Les accessoires sont indispensables à la réalisation de l'installation.

Die Zubehöre sind für die Installation notwendig.

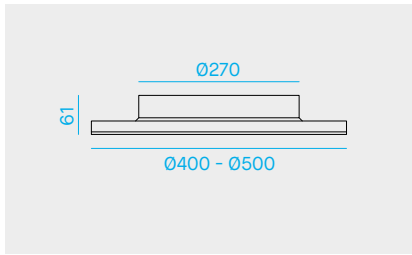


Versioni prodotto disponibili su richiesta - Product versions available upon request - Versions du produit disponibles sur demande - Produktversion auf Anfrage erhältlich

Code	Descrizione	Description	Description	Beschreibung
LPR60/_/_/1	Con driver ON-OFF Made in Italy	With Made in Italy ON-OFF driver	Avec alimentation ON-OFF Made in Italy	Mit Driver ON-OFF Made in Italy
LPR60/_/_/2	Con driver PUSH/DIM 1-10V Made in Italy	With Made in Italy PUSH/DIM 1-10V driver	Avec alimentation PUSH/DIM 1-10V Made in Italy	Mit Driver PUSH/DIM 1-10V Made in Italy
LPR60/_/_/3	Con driver DALI Made in Italy	With Made in Italy DALI driver	Avec alimentation DALI Made in Italy	Mit Driver DALI Made in Italy

Kit emergenza disponibile su richiesta - Emergency kit available upon request - Kit éclairage secouru disponible sur demande - Notfall Kit auf Anfrage erhältlich

Code	Descrizione	Description	Description	Beschreibung
KIT EM/LED/1H	Kit emergenza per LED 1 ora - Batt.7.2V - 1.5Ah	Emergency kit for LED 1 hour - Batt.7.2V - 1.5Ah	Kit éclairage secouru pour LED 1 heure - Batt.7.2V - 1.5Ah	Notfall Kit für LED 1 Stunde - Batt.7.2V - 1.5Ah
KIT EM/LED/3H	Kit emergenza per LED 3 ore - Batt.7.2V - 4Ah	Emergency kit for LED 3 hours - Batt.7.2V - 4Ah	Kit éclairage secouru pour LED 3 heures - Batt.7.2V - 4Ah	Notfall Kit für LED 3 Stunden - Batt.7.2V - 4Ah



### AR1 Caratteristiche - Features - Caractéristiques - Eigenschaften

Accessorio per fissaggio a plafone e a parete, con driver integrato, da fissare direttamente al retro del pannello.

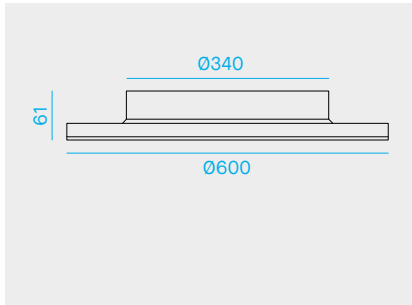
Accessory for ceiling or wall mounted installation, with driver included, to fix directly on the back of LED panel.

Accessoire pour installation en plafonnier ou murale (alimentation incluse) à fixer directement sur le dos du panneau.

Zubehöre zur Befestigung an Decke oder Wand die direkt auf der Rückseite des Panels zu montieren sind (Netzgerät enthalten).



LPR40 + AR1



### AR2 Caratteristiche - Features - Caractéristiques - Eigenschaften

Accessorio per fissaggio a plafone e a parete, con driver integrato, da fissare direttamente al retro del pannello per installazione a soffitto e a parete

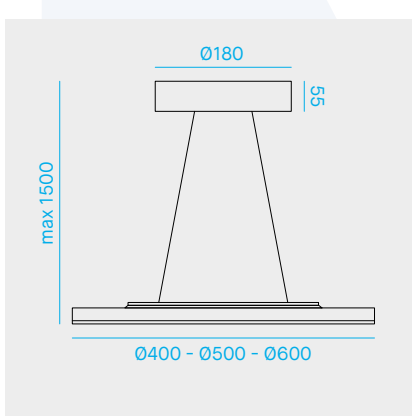
Accessory for ceiling or wall mounted installation, with driver included, to fix directly on the back of LED panel for ceiling and wall mounted installation.

Accessoire pour installation en plafonnier ou murale (alimentation incluse) à fixer directement sur le dos du panneau.

Zubehöre zur Befestigung an Decke oder Wand die direkt auf der Rückseite des Panels zu montieren sind (Netzgerät enthalten).



LPR60 + AR2



### AR3 Caratteristiche - Features - Caractéristiques - Eigenschaften

n.3 tiranti in acciaio da fissare direttamente al retro del pannello e al rosone Ø180x55mm. Completo di cavo di alimentazione bianco da 1.5m. Massima estensione del tirante 1500mm. Rosone da fissare direttamente a soffitto mediante staffa. Alimentatore da inserire nel rosone.

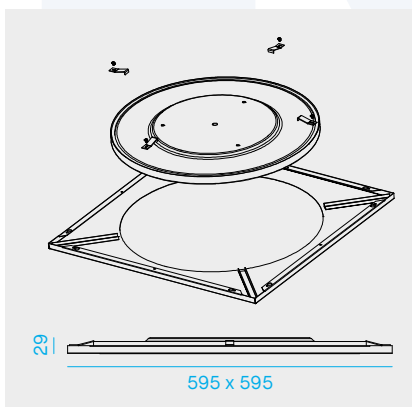
n.3 steel support ropes to fix directly on the back of LED panel and to the rose Ø180x55mm. 1,5m white supply cable included. Maximum extension of support ropes is 1500mm. Rose to fix directly to the ceiling through a bracket. Power supply to be placed into the rose.

3 câbles de suspension en acier à fixer directement sur le dos du panneau et au rosace Ø180x55mm. Complet de câble d'alimentation blanc longueur 1,5m. Longueur maximum câble 1500mm. Rosace à fixer directement au plafond grâce à une patte. Alimentation à insérer dans le rosace.

3 Stahlseil-Abhänger direkt an der Rückseite des Panels und am Baldachin Ø180x55mm zu fixieren. Komplet mit weissem Stromkabel 1.5m. Maximale Länge des Kabels 1500mm. Baldachin direkt an der Decke mit Klammer fixieren.



LPR50 + AR3



### AR4 Caratteristiche - Features - Caractéristiques - Eigenschaften

Telaio in alluminio verniciato bianco (RAL9010) goffrato, per controsoffitto modulo 60x60: telaio da fissare in appoggio direttamente su controsoffitto per l'installazione del pannello LPR50. Peso LPR50 con telaio 2,75Kg.

Structure in white-embossed painted aluminium (RAL9010) for modular 60x60 false ceiling: structure to lay into the false ceiling for the installation of LED panel LPR50. Total weight of LPR50 LED panel with structure is 2,75Kg.

Cadre en aluminium peint blanc mat (RAL9010) pour faux plafond 60x60: pour l'installation du panneau LPR50 en appui. Poids avec cadre 2,75Kg

Rahmen aus weiss geprägt lackiertem Aluminium (RAL9010) für Deckenplatte 60x60: Rahmen für Panel LPR50 direkt an der Decke fixieren. Gewicht LPR50 mit Rahmen 2,75Kg.



LPR50 + AR4

Accessori indispensabili, da ordinare separatamente - Essential accessories, to be ordered separately

Accessoires indispensables à commander séparément - Notwendige Zubehöre separat zu bestellen

Code	Descrizione	Description	Description	Beschreibung
AR1	Kit Ø270mm a plafone e parete per LPR40-LPR50	Kit Ø270mm for ceiling and wall mounted version for LPR40 - LPR50	Kit installation Ø270mm en plafonnier ou murale pour LPR40-LPR50	Kit Ø270mm für Decke und Wand für LPR40-LPR50
AR2	Kit Ø340mm a plafone e parete per LPR60	Kit Ø340mm for ceiling and wall mounted version for LPR60	Kit installation Ø340mm en plafonnier ou murale pour LPR60	Kit Ø340mm für Decke und Wand für LPR60
AR3	Kit a sospensione per LPR40-LPR50-LPR60	Kit for suspended version for LPR40 - LPR50 - LPR60	Kit installation en suspension pour LPR40 -LPR50-LPR60	Kit für Pendel für LPR40-LPR50-LPR60
AR4	Kit telaio per LPR50	Kit with structure for false ceiling for LPR50	Cadre encastrement pour LPR50	Kit Rahmen für LPR50