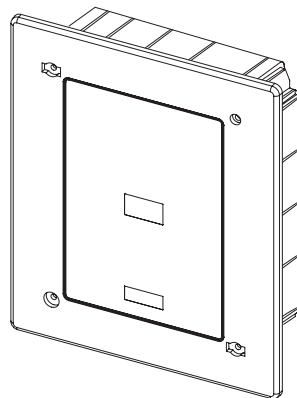
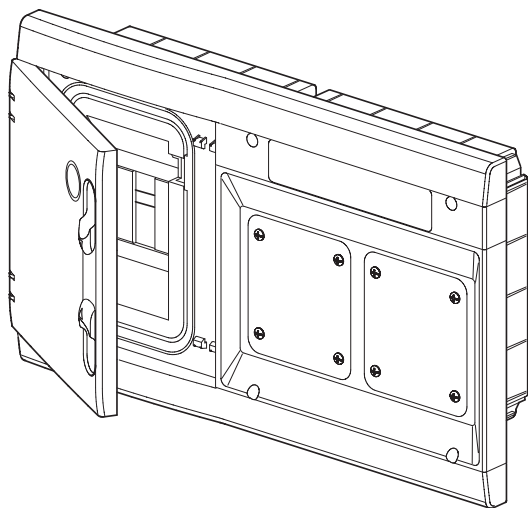


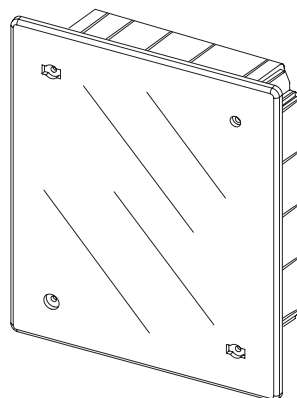
GW 48 681 - GW 48 682
IP55



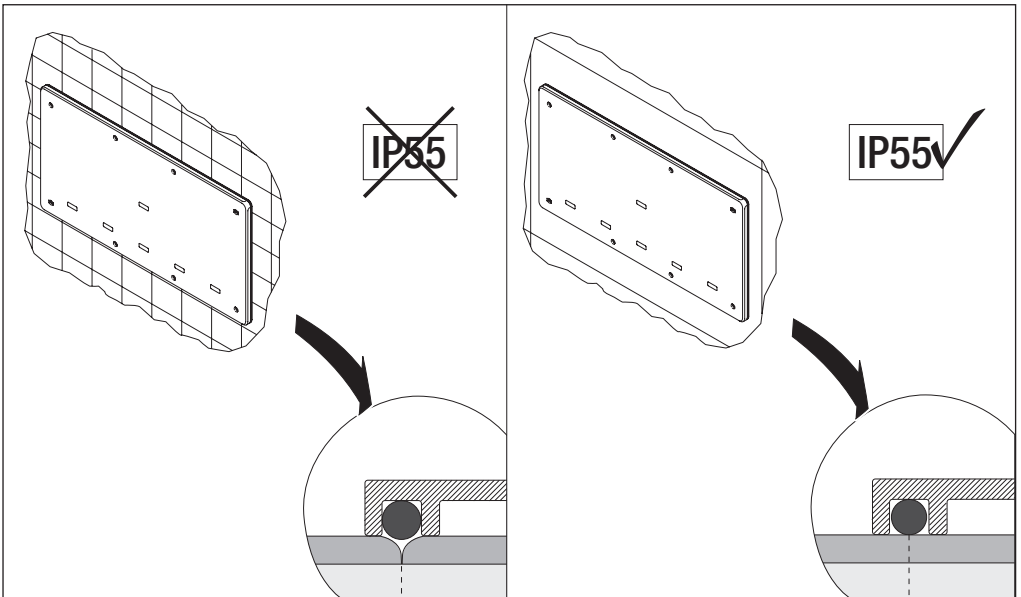
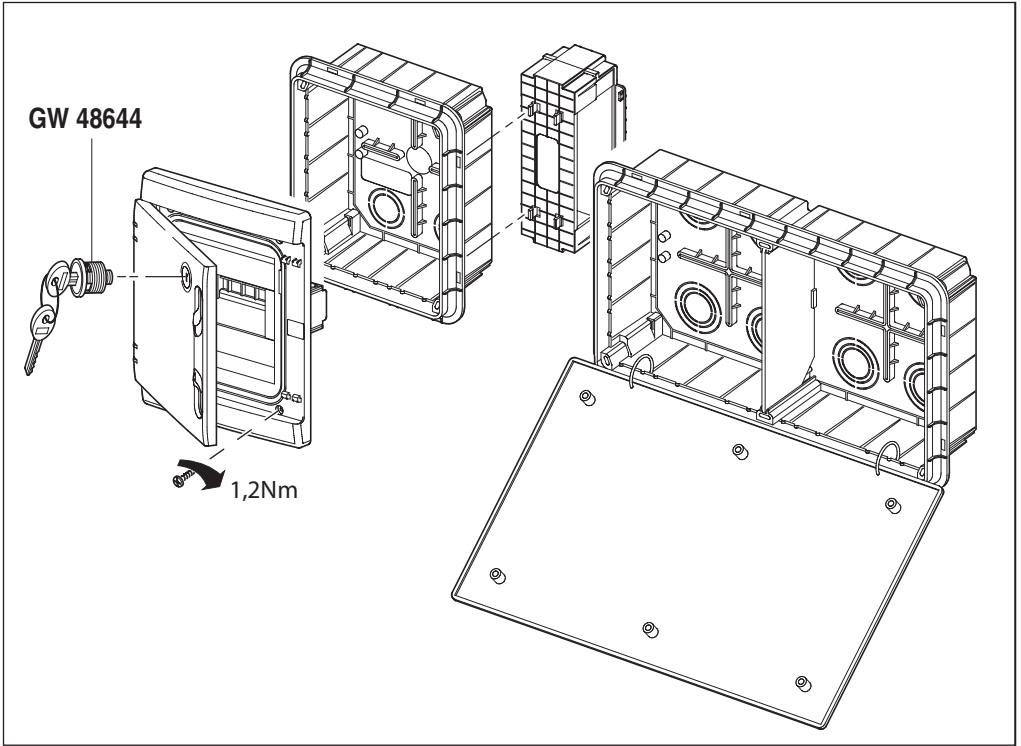
GW 48 661 - 2 - 3
IP40

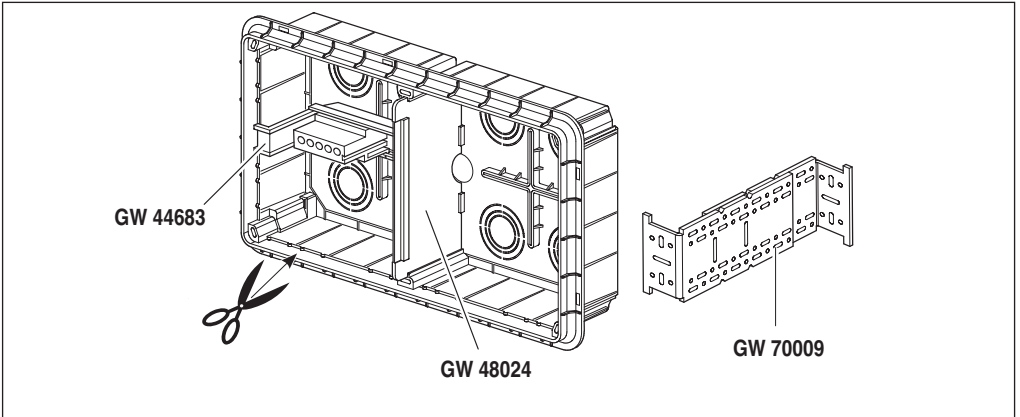
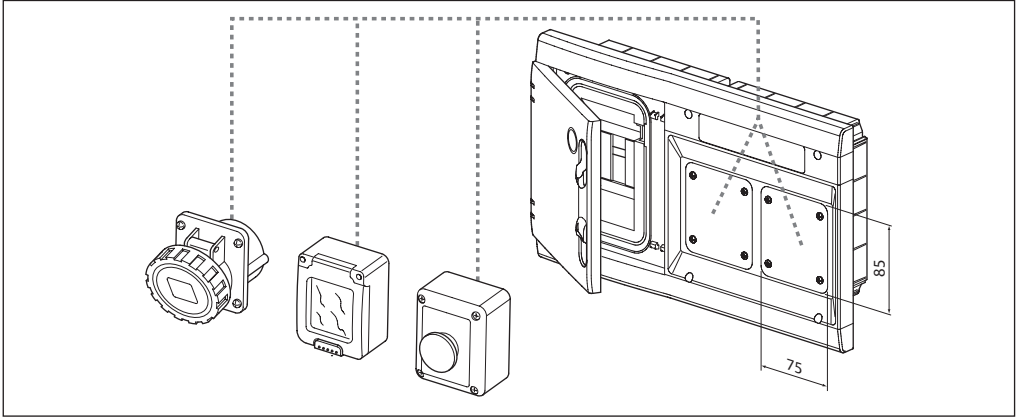


GW 48 686
IP55




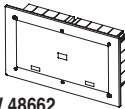
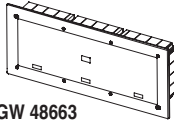

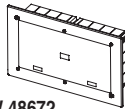
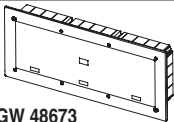


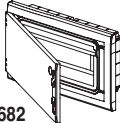
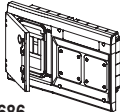

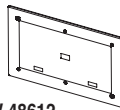
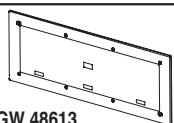

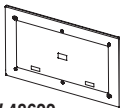
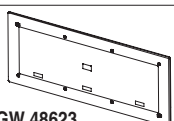



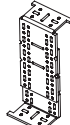


GW 48 671 - 2 - 3
GW 48 691
IP55






	A	B	C	D	Pde Max
GW 48661	138	169	70	5.5	-
GW 48671				10	-
GW 48681				28	15W
GW 48691				10	-
GW 48662	308	169	70	5.5	-
GW 48672				10	-
GW 48682				28	25W
GW 48686				28	19W
GW 48663	398	169	70	5.5	-
GW 48673				10	-



138 x 169 x 70		308 x 169 x 70		398 x 169 x 70	
					
GW 48661	GW 48662	GW 48663			
					
GW 48671	GW 48672	GW 48673			
					
GW 48691					
					
GW 48681	GW 48682				
					
	GW 48686				
					
GW 48611	GW 48612	GW 48613			
					
GW 48621	GW 48622	GW 48623			
					
GW 48651					
					
GW 48024	GW 48026	GW 70009	GW 48643	GW 48644	

IEC 60670-24 GP 	
Un	400V
Ui	1000V
In	125A

IEC 60670-24 PD	
Un	400V
Ui	1000V
In	125A
IK	08

Ai sensi delle Decisioni e delle Direttive Europee applicabili, si informa che il responsabile dell'immissione del prodotto sul mercato Comunitario è:
 According to the applicable Decisions and European Directives, the responsible for placing the apparatus on the Community market is:
GEWISS S.p.A. Via A.Volta, 1 IT-24069 Cenate Sotto (BG) Italy Tel: +39 035 946 111 Fax: +39 035 946 270 E-mail: qualitymarks@gewiss.com



+39 035 946 111
 8.30 - 12.30 / 14.00 - 18.00
 lunedì + venerdì - monday + friday



+39 035 946 260



sat@gewiss.com
 www.gewiss.com