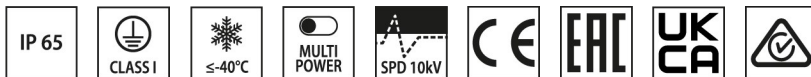
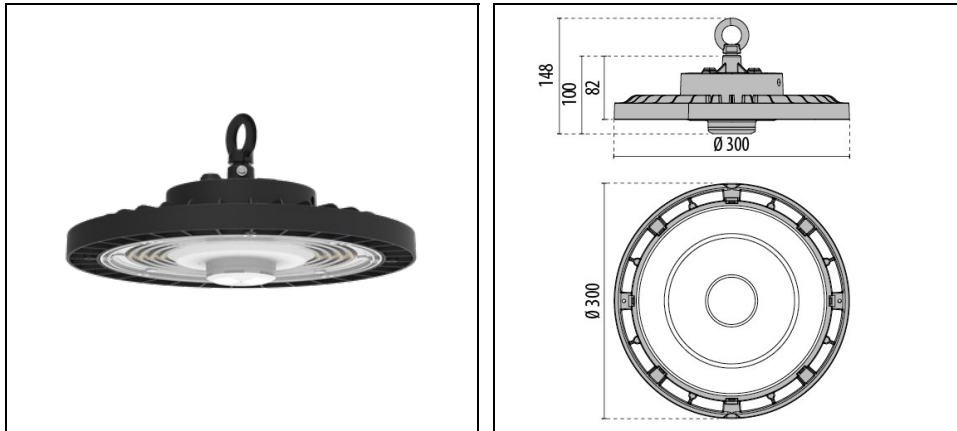


# A+ MULTIPOWER C/EW

Part number 3119399



## Description

Suspended LED luminaire for indoor and outdoor industrial applications, comprising:

- Die-cast aluminium housing and trim polyester powder coat finish, coat finish prior chemical conversion surface treatment
- UV and heat stabilised, technopolymer diffuser with integral custom moulded optics
- Anti-ageing custom moulded silicone sealing gasket(s) with resilient elastic return capacity
- 4000K multi-chip LED board
- Stainless steel locking hardware
- Suspension hook in painted aluminium with safety screw
- Complete with cable H05RN-F
- Built-in driver

Options:

- Painted steel bracket
- Infrared remote control for sensor module

To maintain the regular updating of our products, PERFORMANCE iN LIGHTING reserves the right to make changes without prior notice. For the most up to date information we always recommend you read the latest version published on the website [www.performanceinlighting.com](http://www.performanceinlighting.com). Delivered luminaire lumen outputs and power consumptions, including losses, are subject to a tolerance of +/- 7%, and unless otherwise stated the values apply to an ambient temperature of 25°C. Terms of warranty are available at <https://www.performanceinlighting.com/qr/company/led-warranty>

## Product data

ETIM Group:	EG000027	ETIM Class:	EC001716
-------------	----------	-------------	----------

## General information

Lampholder:	LED	Light source:	LED
Lightsource lumen output [lm]:	17430/21480/29750/38140	Luminaire lumen output [lm]:	15191/17362/24724/30373
Luminaire wattage [W]:	85/100/150/200 W	Luminous efficacy [lm/W]:	179
CRI:	80	Colour temperature [K]:	4000
Colour / Finishing:	BK-RAL9005 / Black RAL9005 / Textured	IP degree of protection:	IP65
IK-J-xxIP:	IK08 5J xx5	Protection class:	I
Optic:	C/EW - Circular Extra-Wide	Net weight [kg]:	3.14

## Mechanical features

Shape:	Round $\geq$ 300 mm	Housing material:	Aluminium
Diffuser material:	Transparent plastic	Glow wire test [°C]:	960 °C

## Electrical features

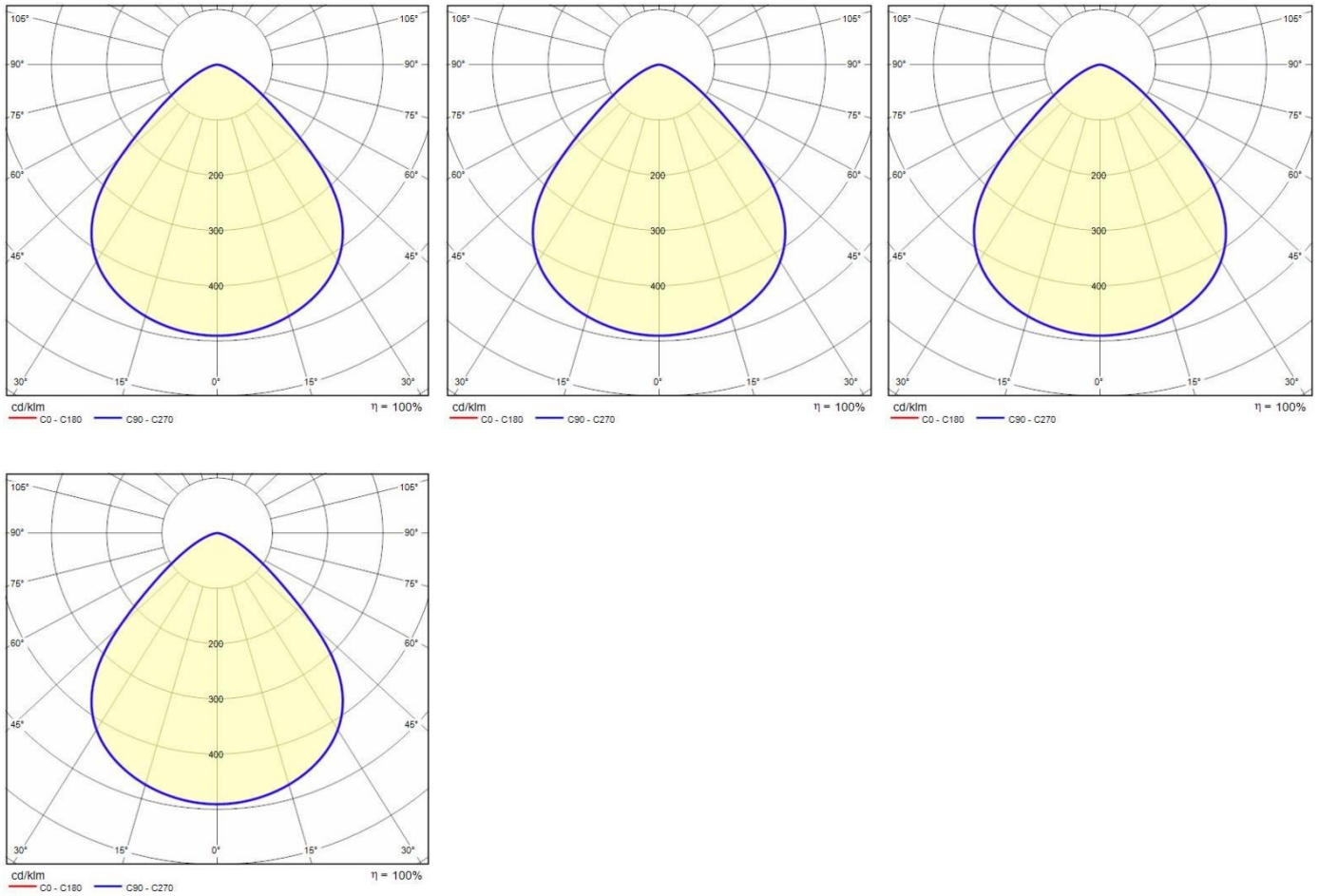
Voltage type:	AC	Input voltage [V AC]:	90/305
Input frequency [Hz]:	50/60	Power factor / COS $\Phi$ :	0.95
Surge protection   Common [kV]:	10.0	Surge protection   Differential [kV]:	6.0
Inrush current [A/ $\mu$ s]:	80 / 300	C16 2.5 mm <sup>2</sup> :	6
B16 2.5 mm <sup>2</sup> :	3		

## Installation

Application area:	Indoor	Mounting type:	Hi / low-bay
Min. ambient temperature [°C]:	-40	Max. ambient temperature [°C]:	45

## Light features

MacAdam:	3	Lumen maintenance:	L80B10@100000h
Distribution of light emission:	Direct		

**Photometric data**

**3124453**

 Polycarbonate diffuser A+  
 MULTIPOWER

 TR1 / Transparent

**Optional accessories**

A+ MULTIPOWER

To maintain the regular updating of our products, PERFORMANCE iN LIGHTING reserves the right to make changes without prior notice. For the most up to date information we always recommend you read the latest version published on the website [www.performanceinlighting.com](http://www.performanceinlighting.com). Delivered luminaire lumen outputs and power consumptions, including losses, are subject to a tolerance of +/- 7%, and unless otherwise stated the values apply to an ambient temperature of 25°C. Terms of warranty are available at <https://www.performanceinlighting.com/gr/company/led-warranty>



**3119400**  
Driver DALI



**3119401**  
Microwave motion sensor



**3119402**  
Remote control



**3119403**  
Fixing bracket A+ MULTIPOWER  
■ BK-RAL9005 / Black RAL9005



**3119404**  
Kit EM3P  
■ BK-81 / Black