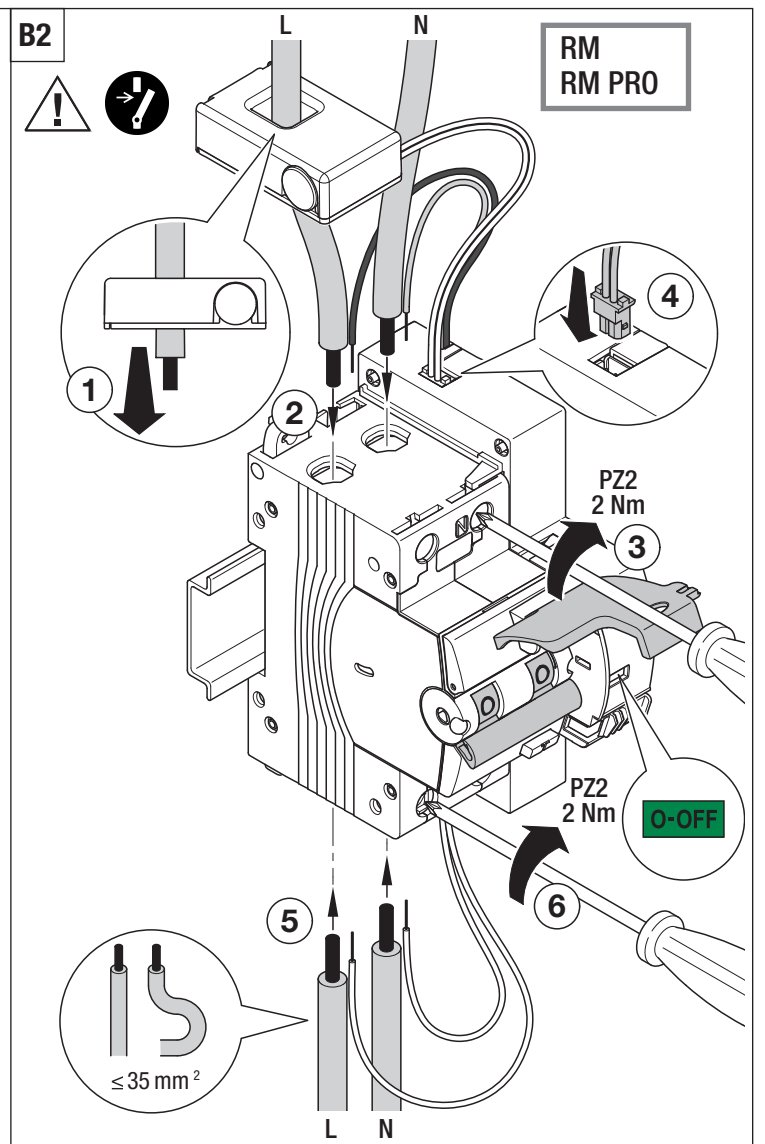
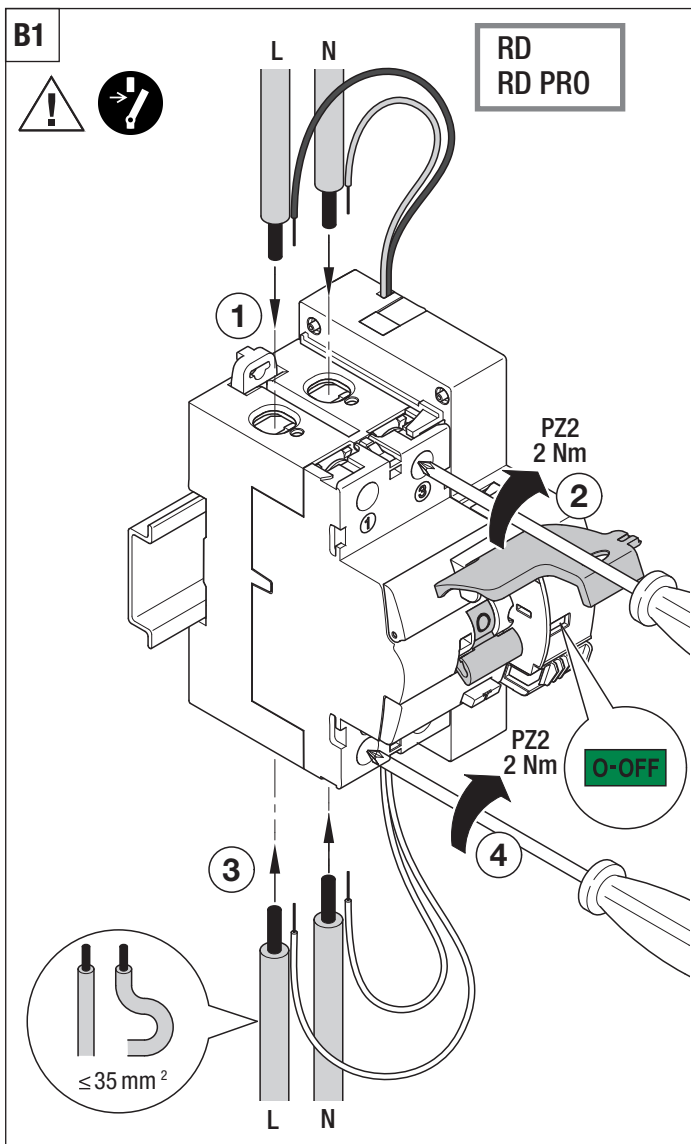
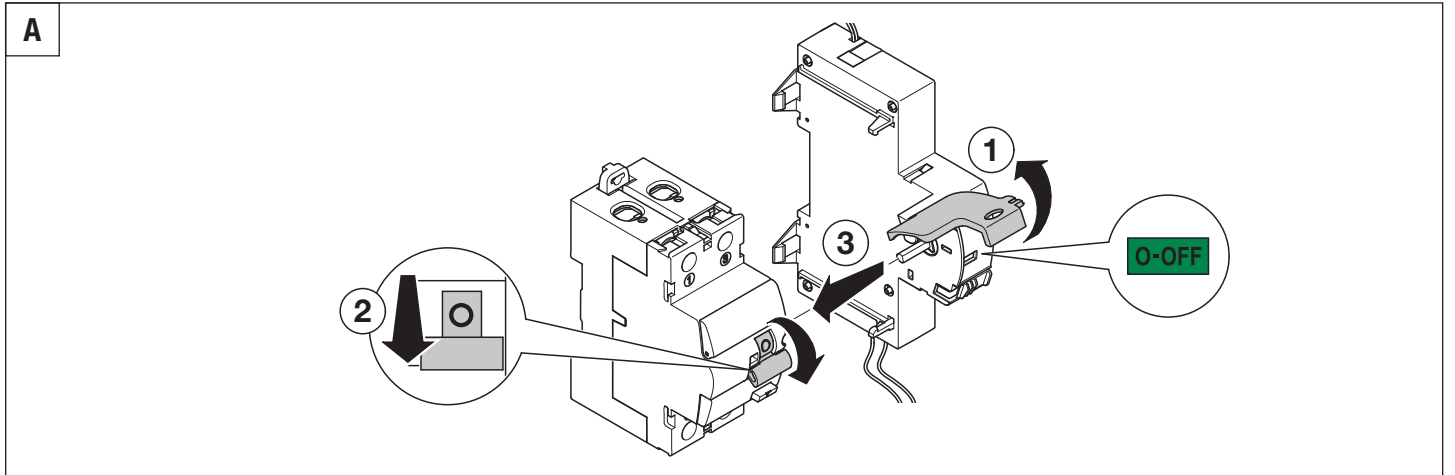


## RESTART RD/RD PRO/RM/RM PRO

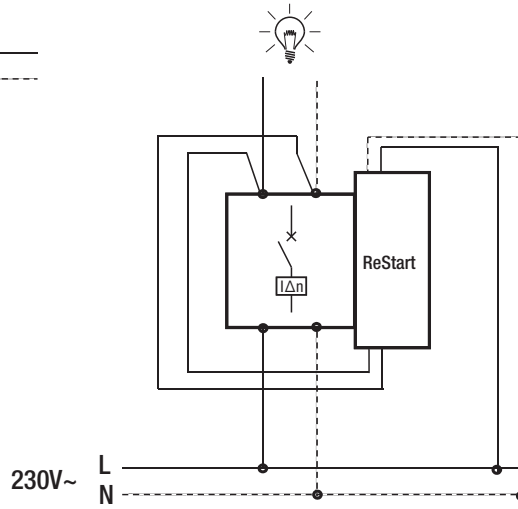
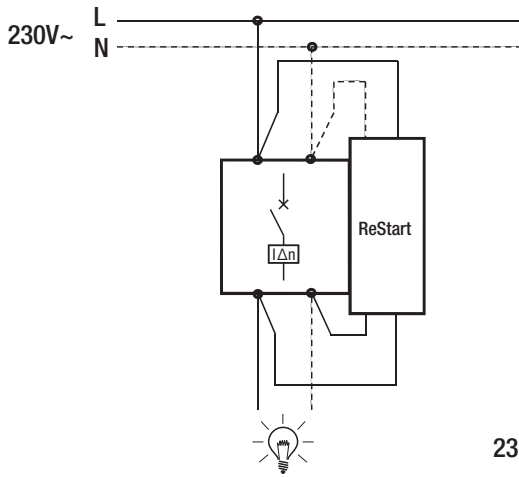




**C**

**RD, RD PRO**

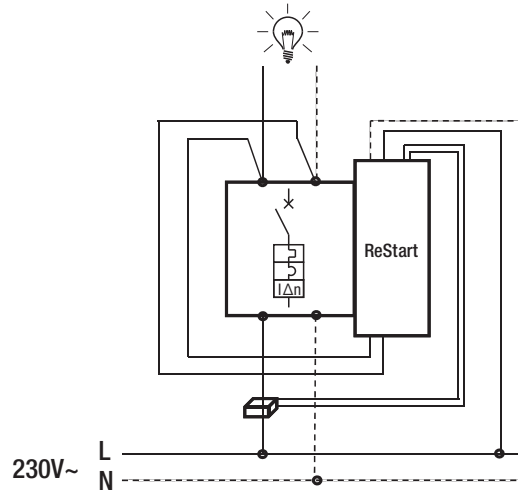
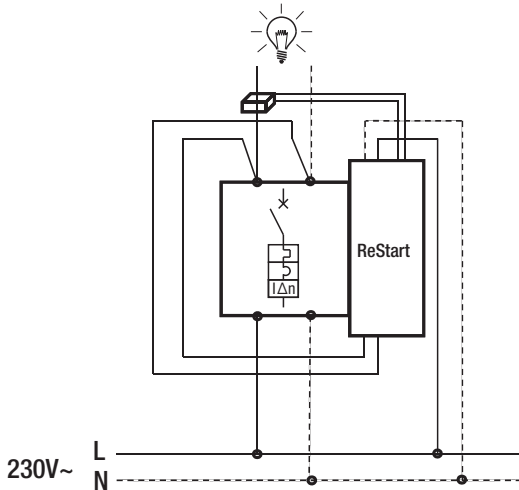
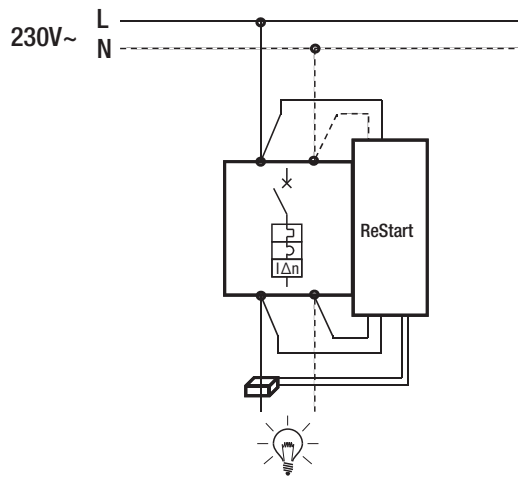
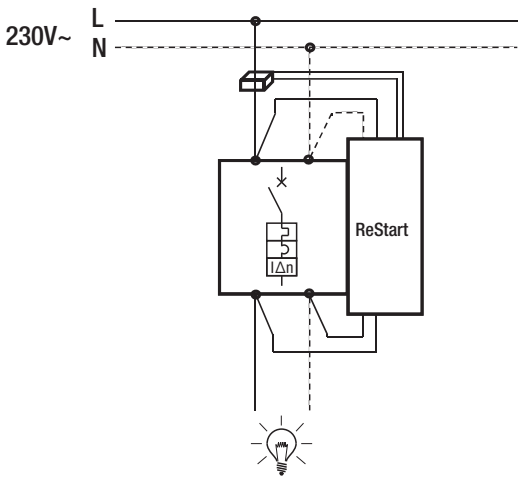
TT, TN-S



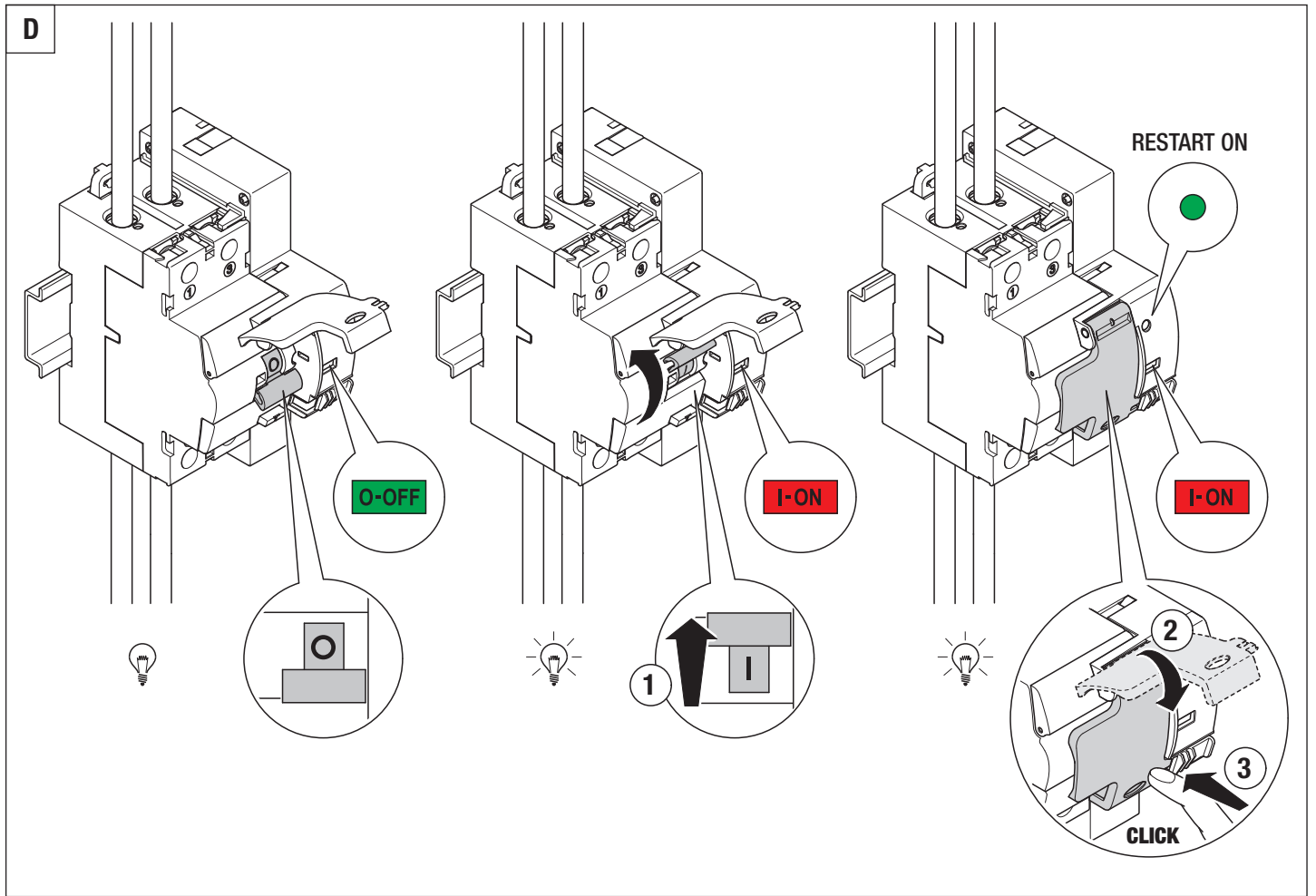
 	IDP NA 25-40-63A	6000A gG 63A
	IDP 25-40A	10000A gG 63A
	IDP 63A	10000A gG 80A
	IDP 80-100A	6000A gG 100A

**RM, RM PRO**

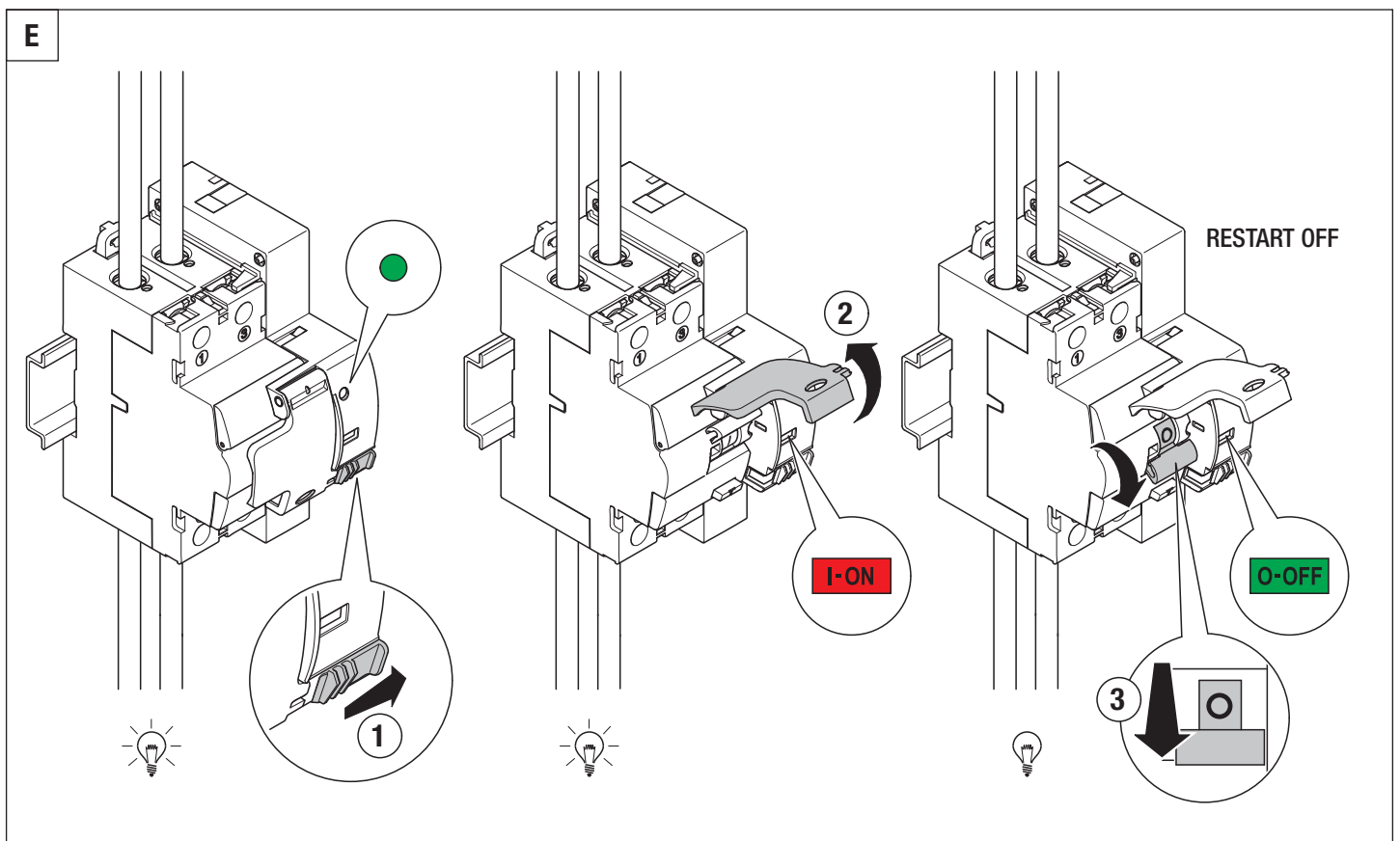
TT, TN-S



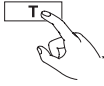
# OFF → ON



# ON → OFF



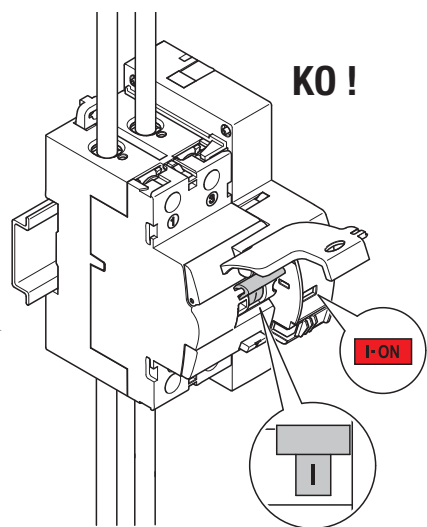
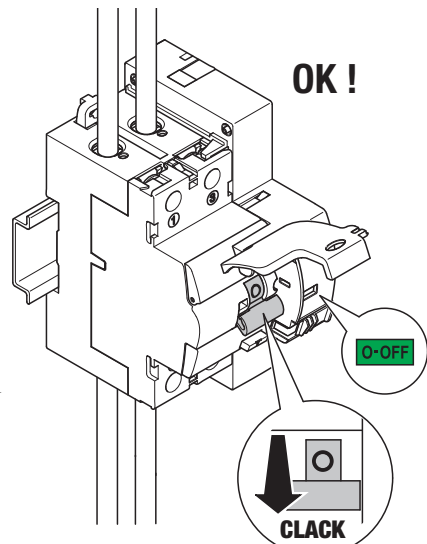
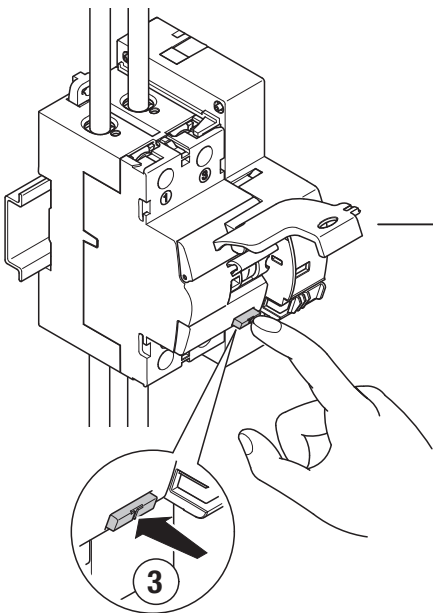
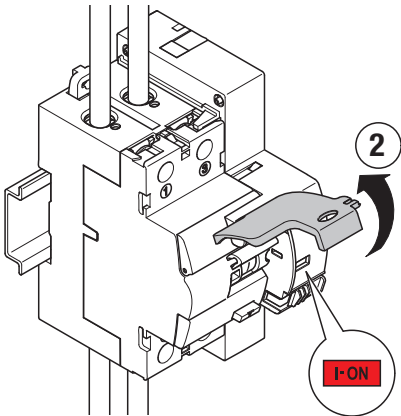
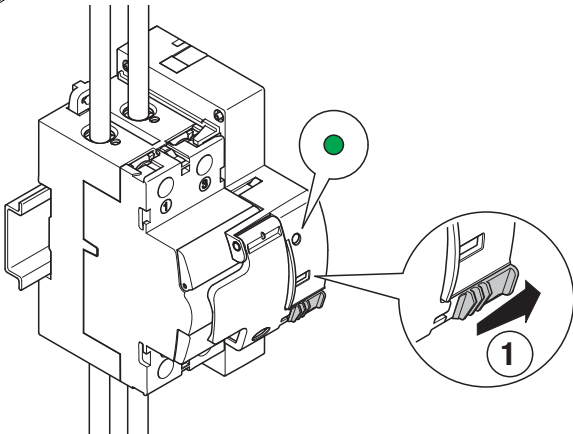
# TEST



F



1,2,3...12



4A

4B

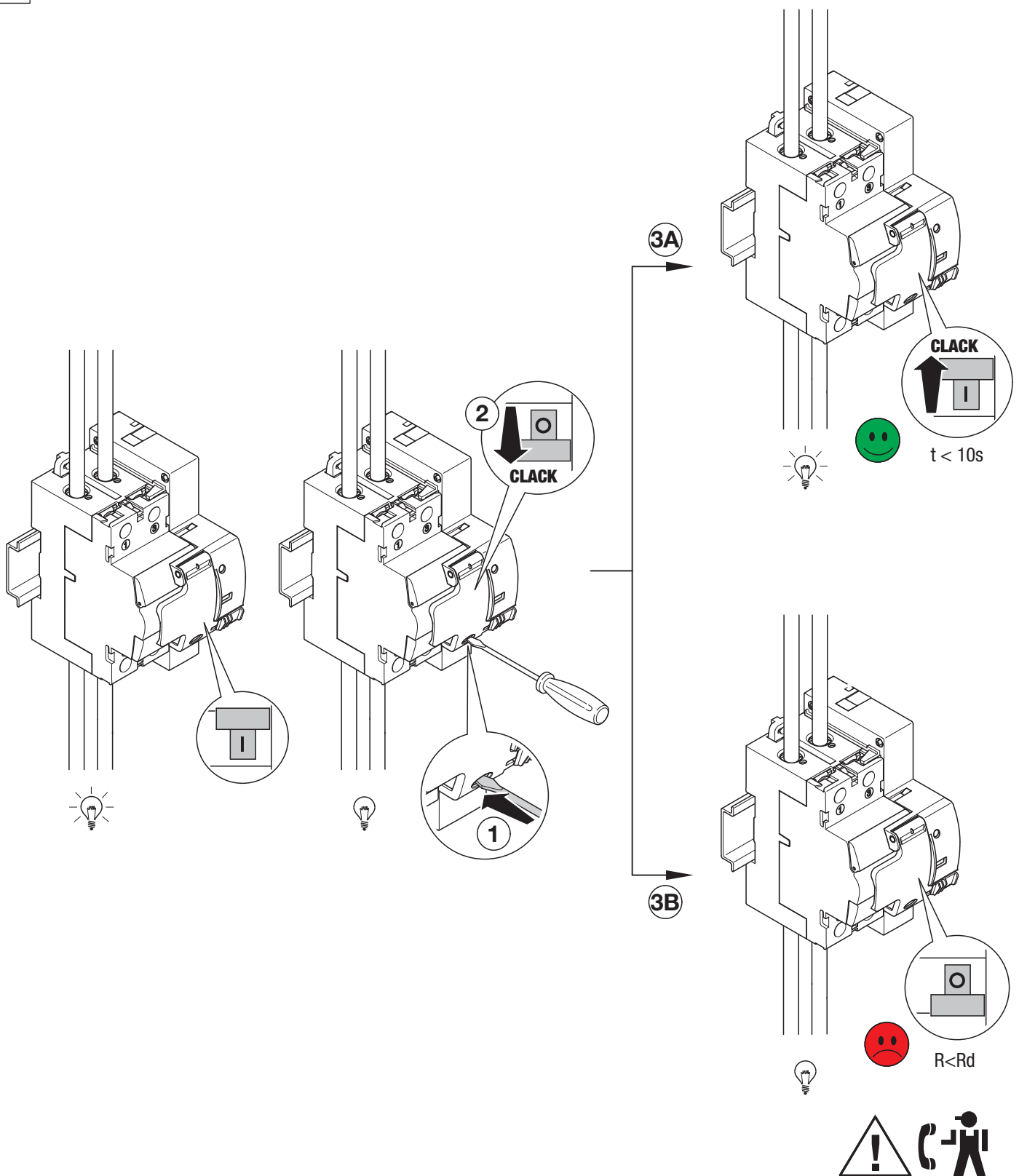
OK!

KO!



# TEST RESTART

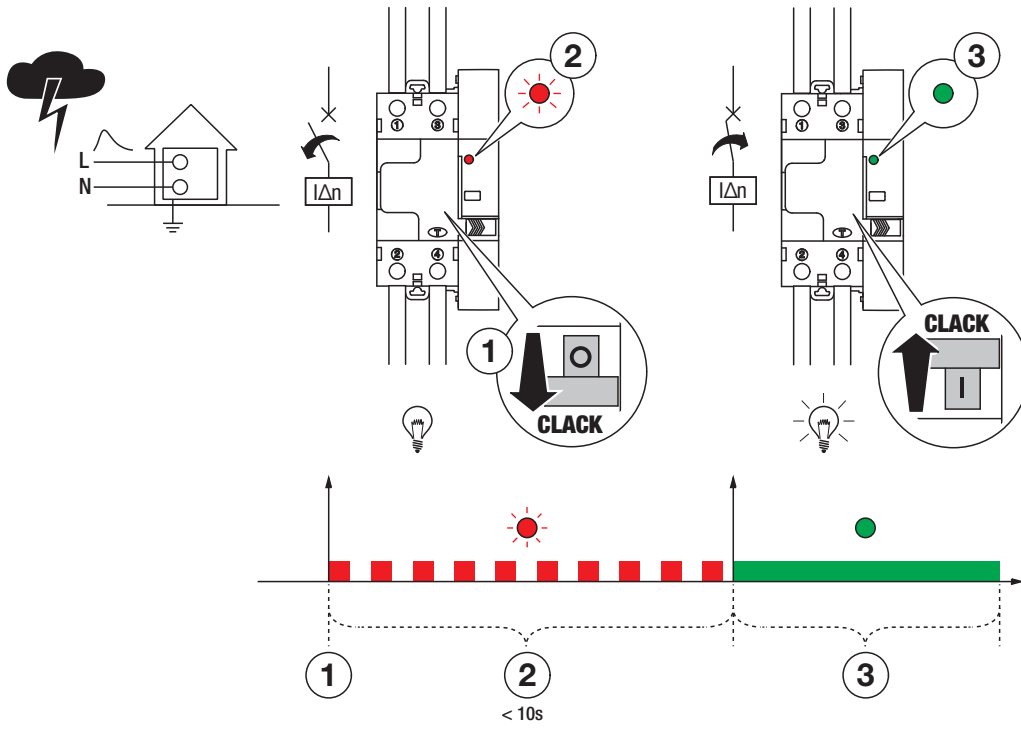
G



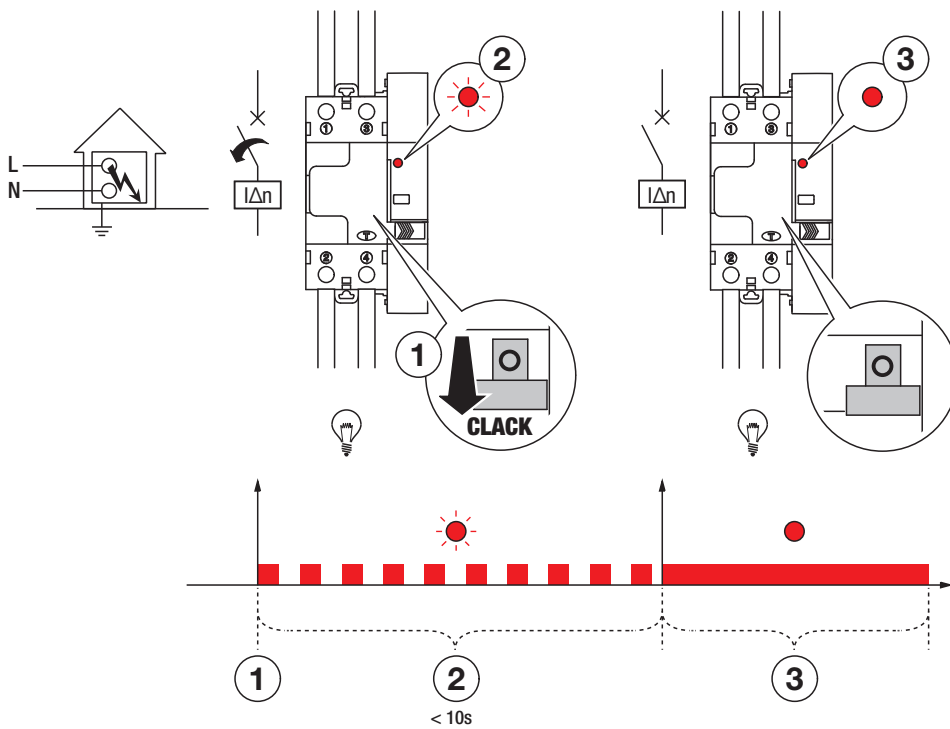
R=?	RESTART RD / RD PRO RESTART RM / RM PRO	
	30mA	100/300/500mA
Rd	16kΩ	5kΩ
Rdo	8kΩ	2,5kΩ

# RESTART RD

H

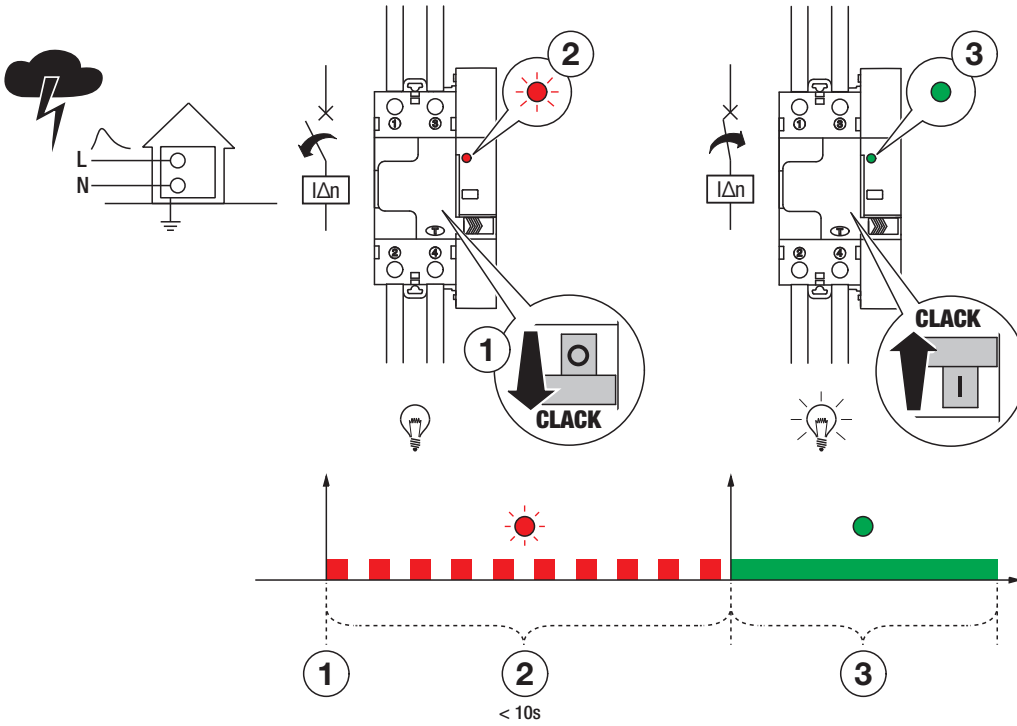


I

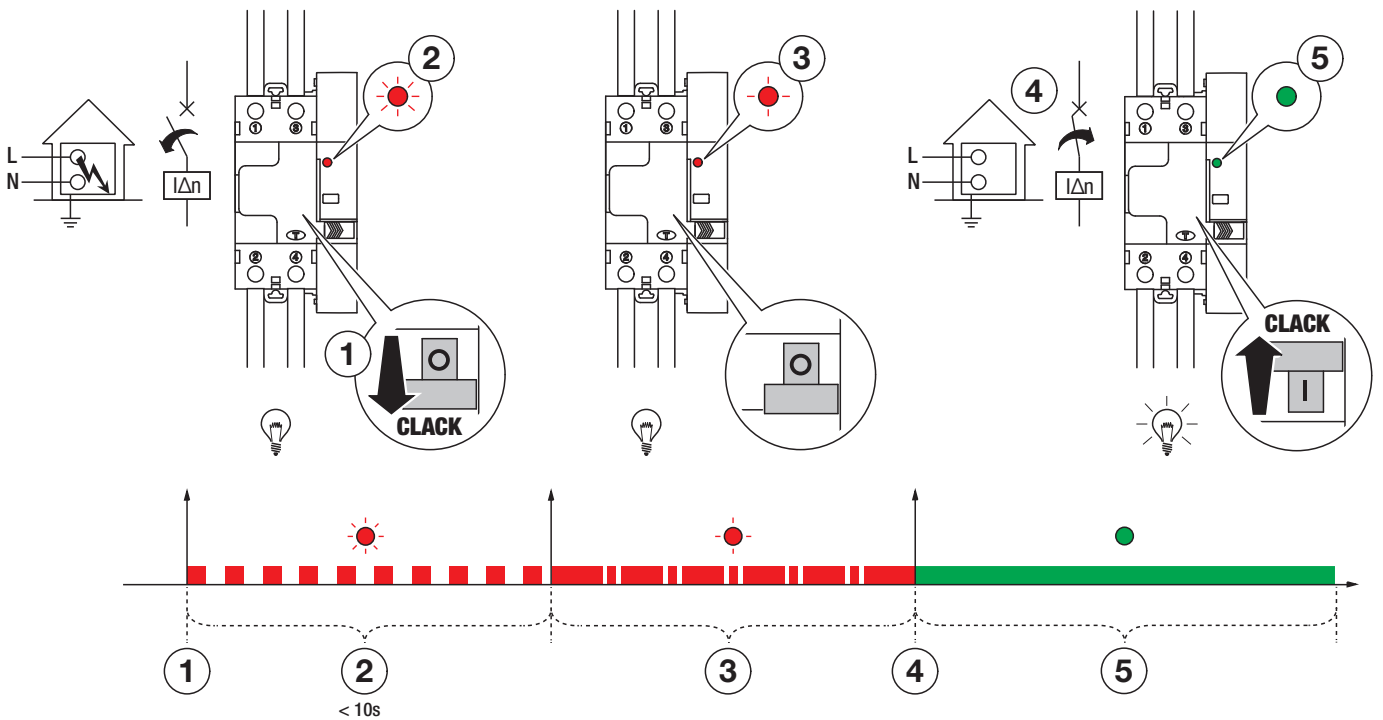


# RESTART RD PRO

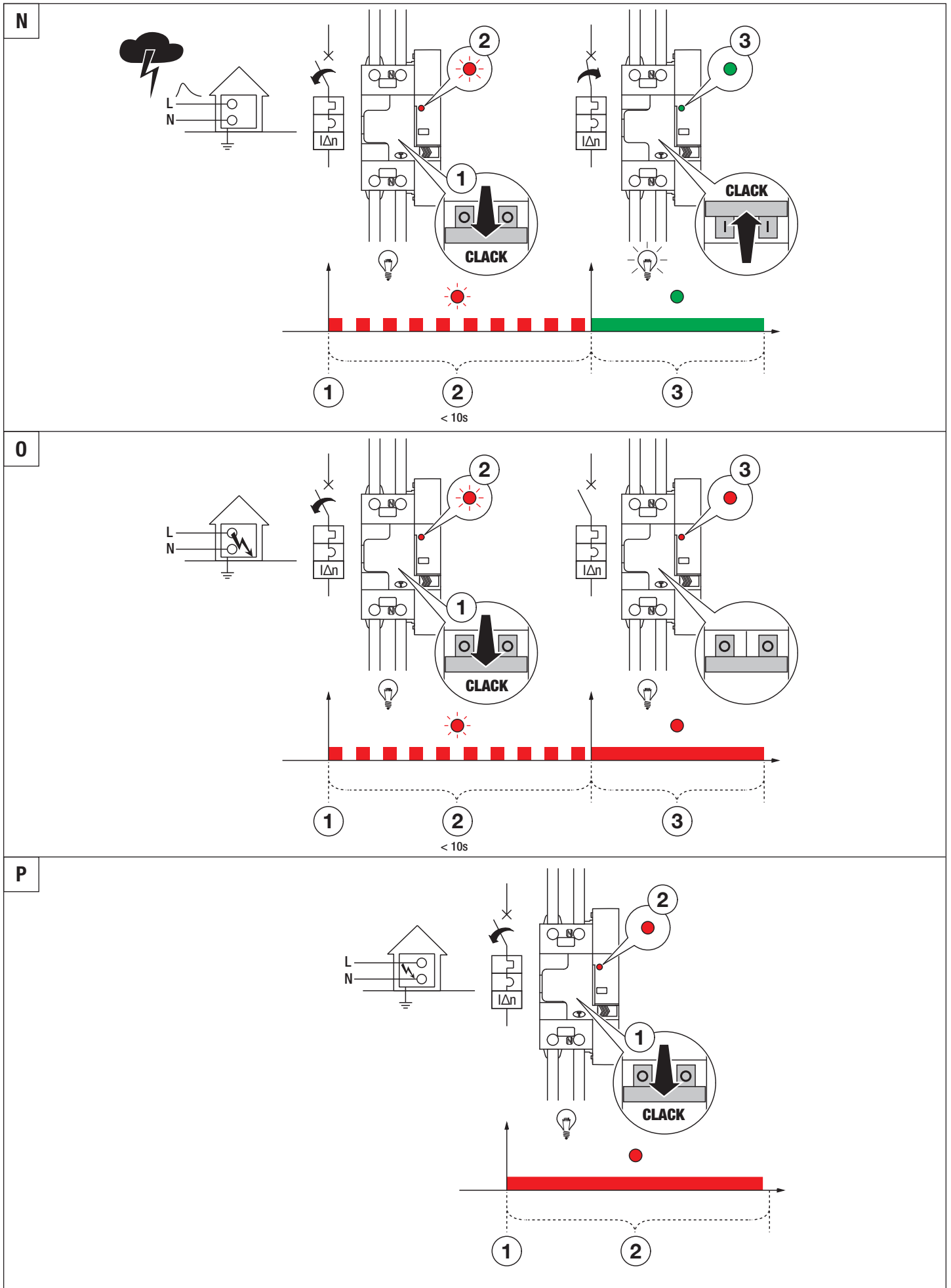
L



M

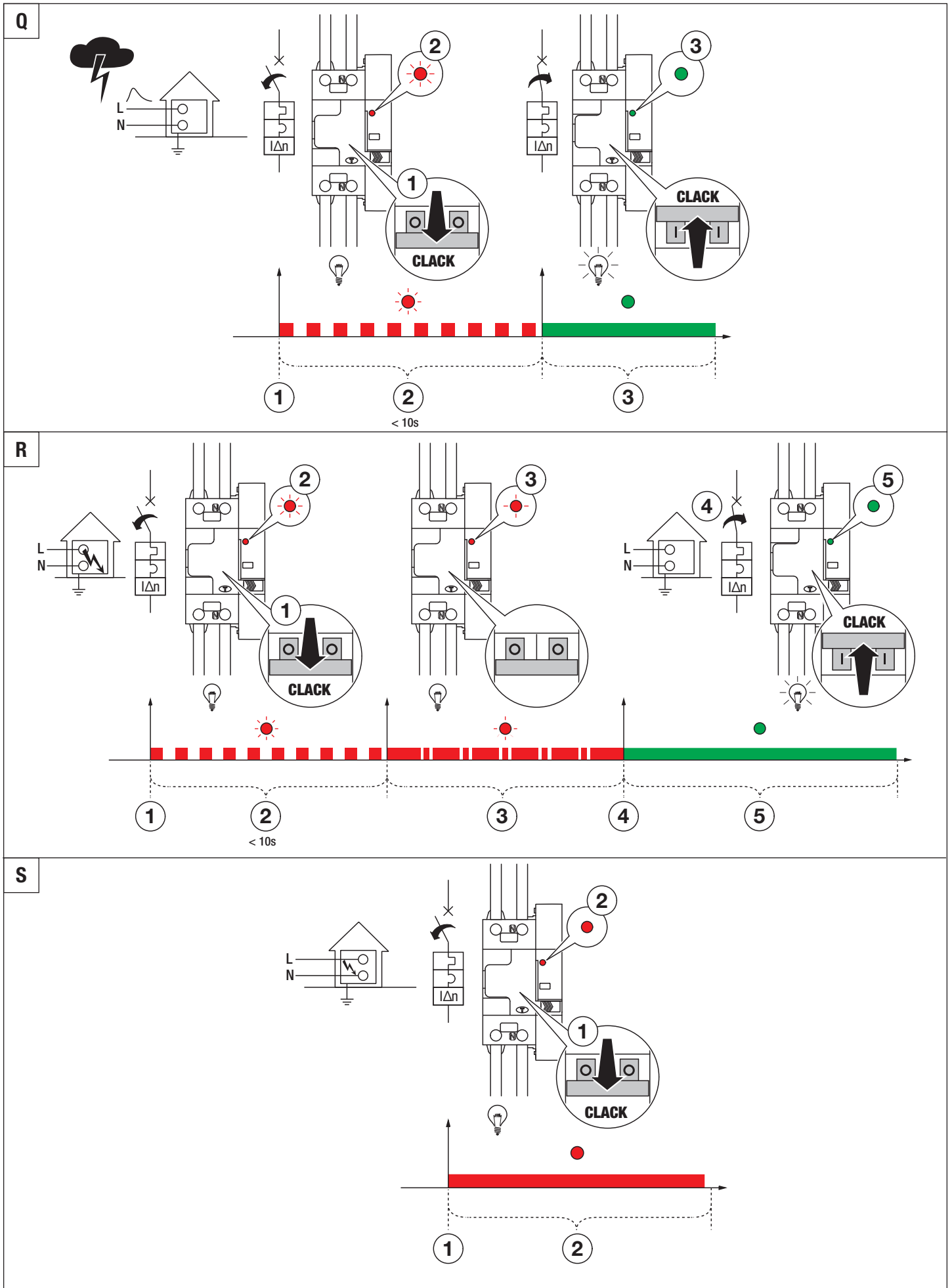


# RESTART RM





# RESTART RM PRO



# RESTART RD/RM

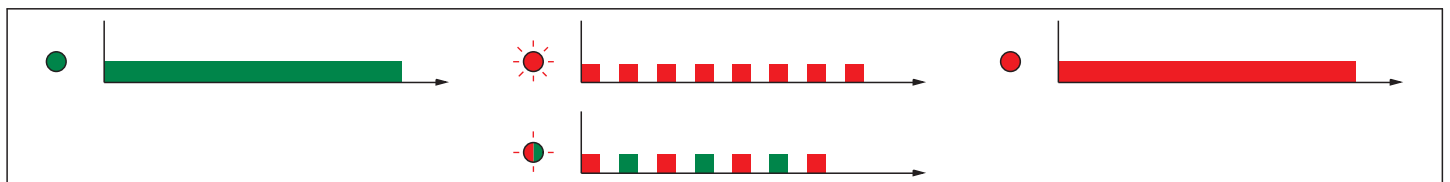
--	--	--	--

## RESTART OFF

	I - ON 		
	0 - OFF 		

## RESTART ON

	I - ON 		
	0 - OFF 		Restart (t < 10s)
	0 - OFF 		
	I - ON  0 - OFF 		



# RESTART RD/RM PRO

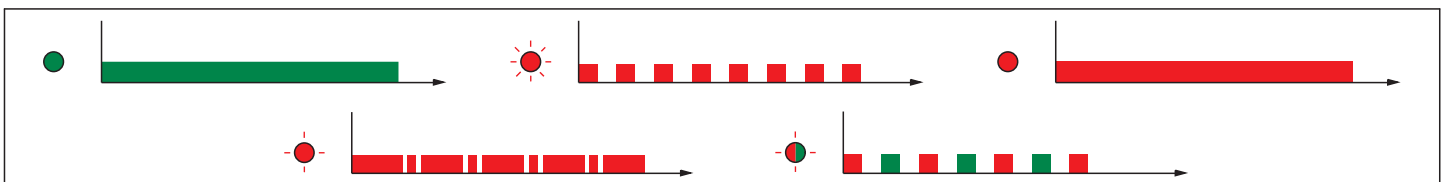
--	--	--	--

## RESTART OFF

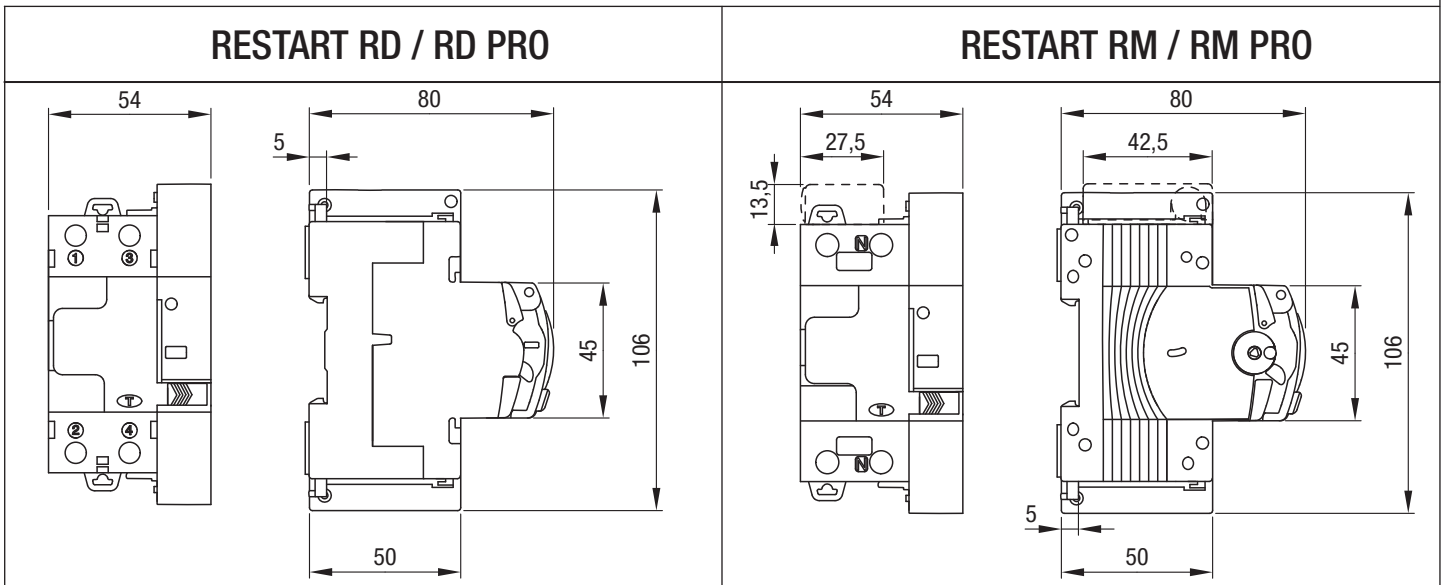
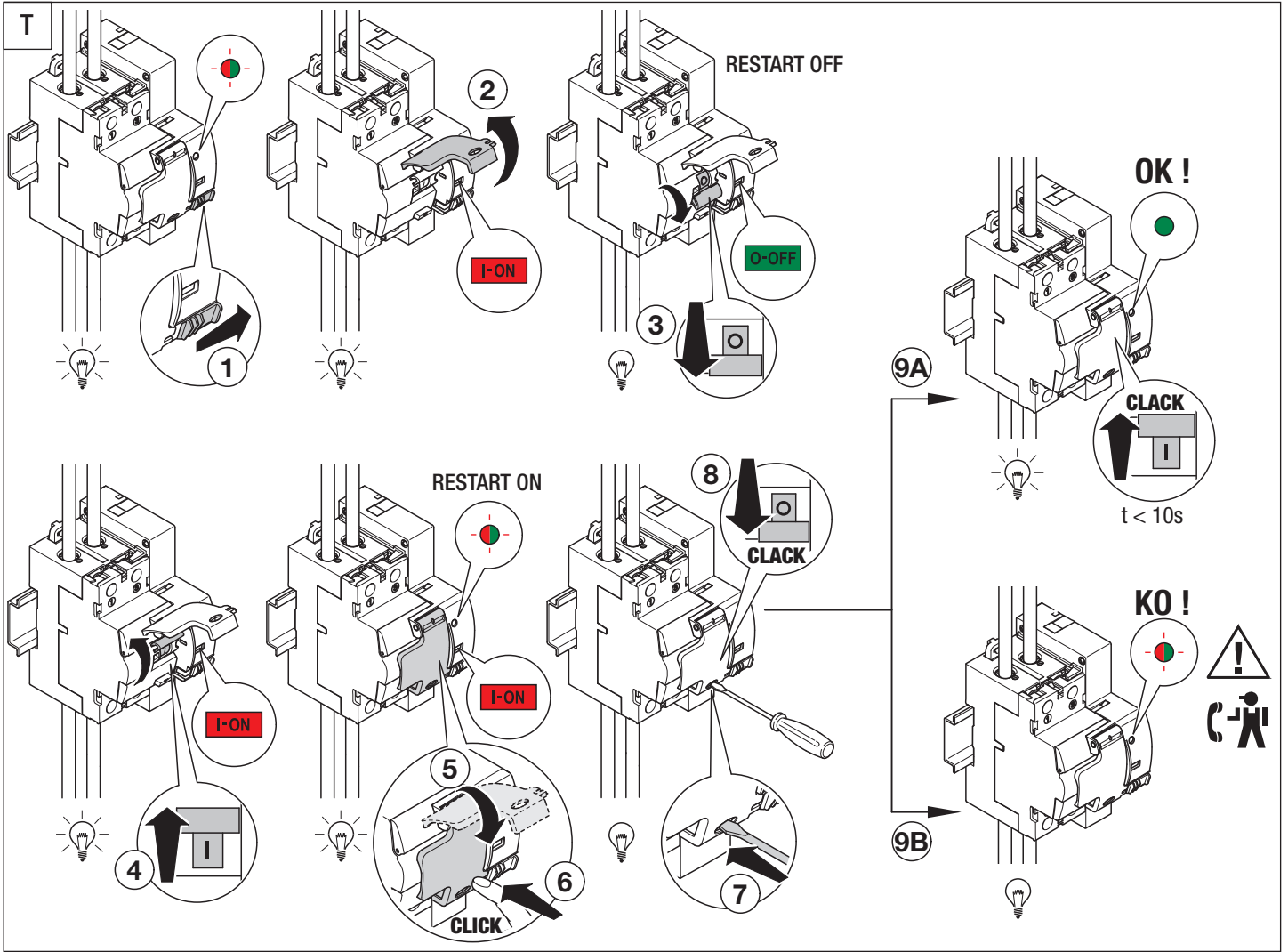
	I - ON 		
	O - OFF 		

## RESTART ON

	I - ON 		
	O - OFF 		Restart (t < 10s)
	O - OFF 		
	O - OFF 		
	I - ON  O - OFF 		



# RESET



Ai sensi delle Decisioni e delle Direttive Europee applicabili, si informa che il responsabile dell'immissione del prodotto sul mercato Comunitario è:

According to the applicable Decisions and European Directives, the responsible for placing the apparatus on the Community market is:

GEWISS S.p.A. Via A.Volta, 1 IT-24069 Cenate Sotto (BG) Italy Tel: +39 035 946 111 Fax: +39 035 946 270 E-mail: qualitymarks@gewiss.com



+39 035 946 111  
8.30 - 12.30 / 14.00 - 18.00  
lunedì - venerdì - monday - friday



+39 035 946 260



sat@gewiss.com  
www.gewiss.com