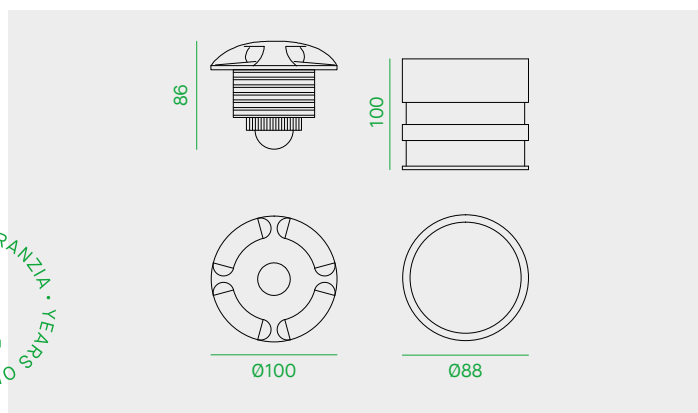




211/INOX

Code	Nominal lumen	W	CCT	CRI
211/INOX/3K	525	7,7	3000K	80



2 ANNI DI GARANZIA
2 YEARS OF WARRANTY



Incasso LED calpestabile luce radente per installazione a pavimento.

LED CREE

Life time 50.000h (rendimento 70%).

Anello frontale e corpo in inox AISI 316. Controcassa in alluminio inclusa.

Cavo in neoprene H05RN-F 2x1mm² di 1,4m.

Il collegamento di più apparecchi ad un solo alimentatore va effettuato in parallelo

Alimentatore non incluso.

Walk over recessed LED fitting grazing light for ground installation.

CREE LED

Life time 50.000h (70% lumen maintenance).

Ring and body in inox AISI 316. Aluminum housing included.

Neoprene H05RN-F 2x1mm² cable of 1,4m.

In case more fittings have to be connected to one power supply, connect them in parallel

Power supply not included.

Encastré de sol LED pour balisage de route.

LED CREE

Durée de vie 50.000h (rendement 70%).

Anneau et corps en acier AISI 316. Boîtier d'encastrement en polycarbonate inclus.

Câble en néoprène H05RN-F 2x1mm² longueur 1,4m.

Il est possible de brancher en parallèle plusieurs appareils sur la même alimentation

Alimentation non incluse.

Begehbarer Streiflicht-LED für Bodeninstallation.

CREE LED

Lebensdauer 50.000h (Lichtstrom 70%).

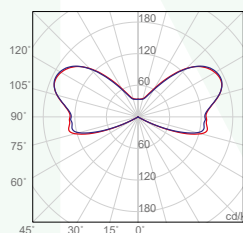
Ring und Körper aus Edelstahl AISI 316. Polycarbonat Einbaueinheit enthalten.

Neopren-Kabel H05RN-F 2x1mm² von 1,4m.

Mehrere LED-Leuchten sollten parallelgeschaltet werden

Netzgerät nicht enthalten.

211/INOX/3K



Alimentatori da ordinare separatamente - Power supplies to be ordered separately - Unités d'alimentation à commander séparément - Netzgerät separat zu bestellen.

Code	W	Vdc	IP	max n. apparecchi / max n. fittings
5788	25	24	IP67	2
5789	40	24	IP67	3
5782	60	24	IP67	5
5674	70	24	IP20	6
5673	70	24	IP67	6
5783	75	24	IP67	6
5784	100	24	IP67	9
5672	150	24	IP67	15
5675	150	24	IP20	15