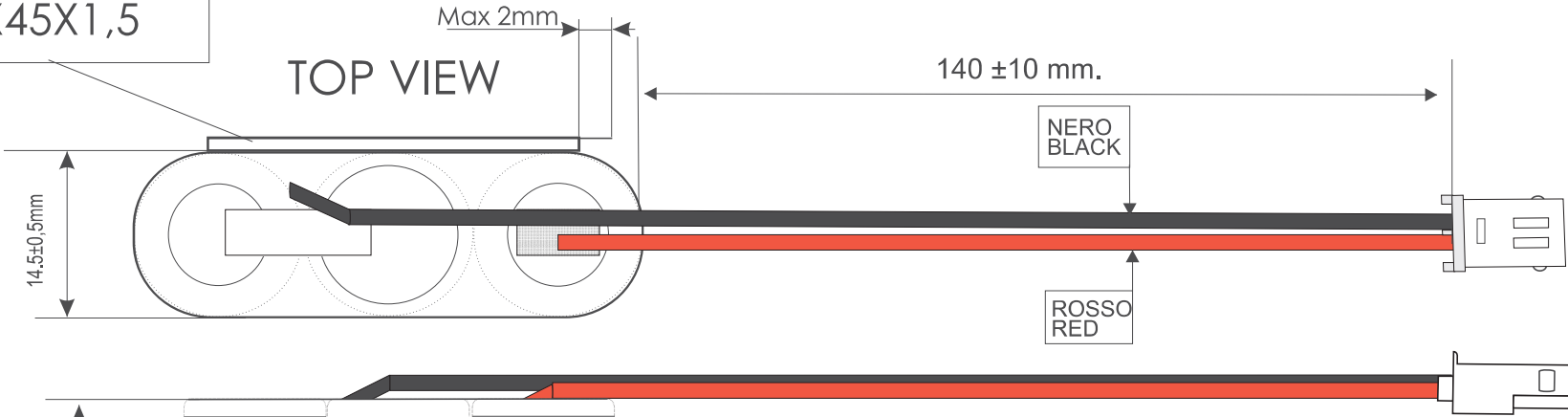
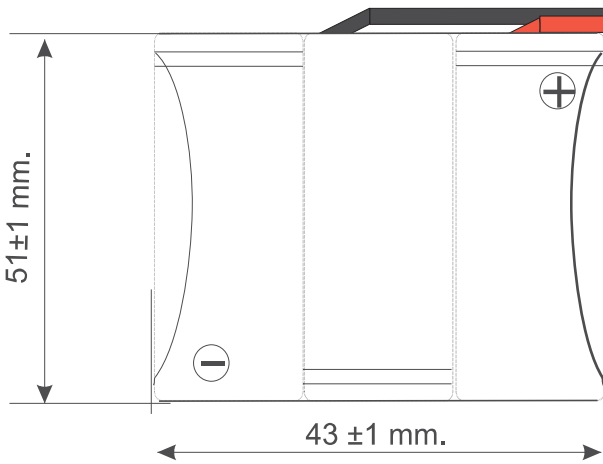


BI-ADHESIVE  
35X45X1,5

TOP VIEW



51 ± 1 mm.



N.3 CELLS 3,6V 0.75Ah HT  
SIZE AA PACK ASSEMBLED  
HIGH TEMPERATURE

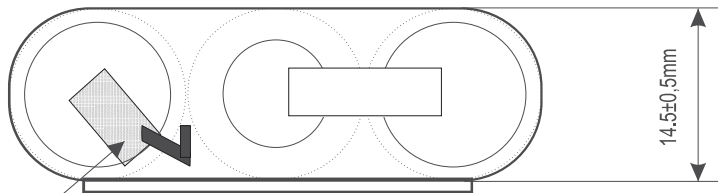
PACK ASSEMBLED WITH  
TERMORETRACTILE PLASTIC  
PROTECTION

FOR EXAMPLE PLACE LABEL LIKE THIS :

	<b>Beghelli</b> NiCd Battery HT
	Voltage : <u>3.6V</u> Capacity : <u>0.75Ah</u> Beghelli Code : <u>415072301</u> Assembly Date : <u>YEAR/WEEK</u> Ord. Code : <u>CODE</u> Manufacturer Code : <u>CODE</u> Installation Date : _____ Made in PRC

solder Black

BOTTOM VIEW



B	Added bi-adhesive	04/09/2013	F.Galli	L.Costantini	M.Muzzarelli
Ed.	MODIFICHE	Data	Preparato	Verificato	Approvato
Scala	NOTE				
Nome Documento : 415072301.CDR					
OGGETTO		CODICE		<b>Beghelli</b> MONTEVEGLIO (BO) ITALY	
NC HT 3.6V 0.75 AA PACK 5264 2		415.072.301			
Ed.	A	B			